

206 BRASS SILLCOCK



- ❖ Brass Body
- ❖ Sillcock (Lawn Faucet)
- ❖ Hose x FIP or Solder Connection

125 PSI CWP

Product Spec Sheet

ISO 9001:2000



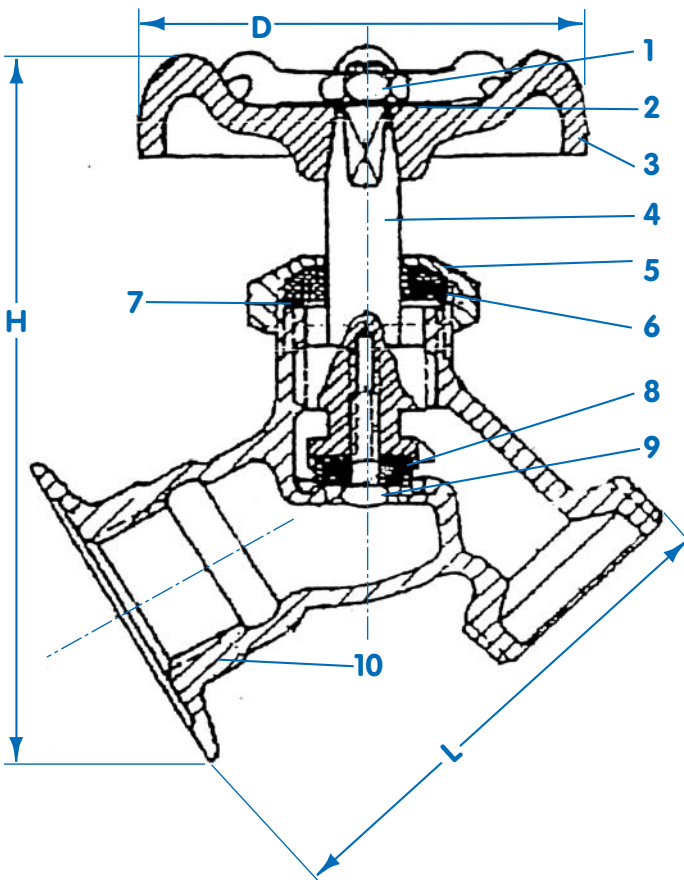
206T



206C



206H



- 206T:** IPS Connection
- 206C:** C x C Connection
- 206H:** Heavy Pattern With Stuffing Box

DIMENSIONS

SIZE	H	D	L
1/2" FIP x 3/4" Hose	2.60	8.27	3.78
3/4" FIP x 3/4" Hose	2.60	10.24	5.87

MATERIAL SPECIFICATIONS

NO.	Part	Material
1	Wheel Nut	Iron
2	Name Plate	Aluminum
3	Handle Wheel	Cast Iron
4	Stem	Brass
5	Packing Nut	Brass
6	Packing	Rubber
7	Washer	S.S.
8	Seat Washer	Rubber
9	Seat Screw	Brass
10	Body	Brass



Brewster, NY
 TEL: 800-431-2082
 FAX: 800-640-2252

Houston, TX
 TEL: 800-935-5456
 FAX: 800-683-4247

La Palma, CA
 TEL: 866-532-8306
 FAX: 866-532-8307

Americus, GA
 TEL: 800-433-7526
 FAX: 800-533-5134

e-mail: mail@matco-norca.com

www.matco-norca.com