

205UCNY Ductile Iron UL/FM Gate Valve • Spec Sheet

FEATURES & BENEFITS

- Ductile Iron Gate Valve
- Flanged Ends – Conforms with ANSI B16.1 Class 125
- Resilient Wedge

- 300 PSI
- Rising Stem (OS&Y)
- Less Tap and Plug
- AWWA C515-15

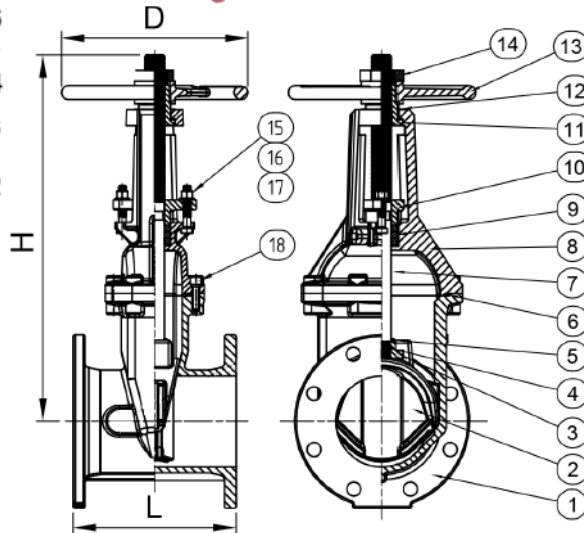
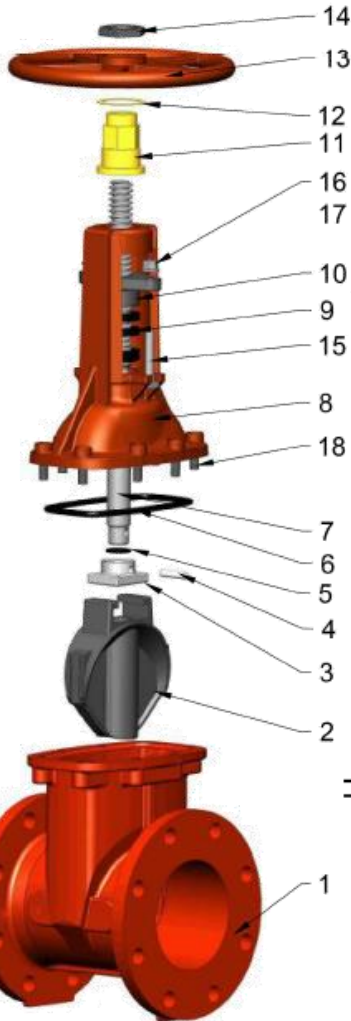
- UL Listed / FM Approved
- Fusion Epoxy Coated - AWWA C550
- Chicago / NYC Body Spec
- Sizes 2-1/2" – 12"

DIMENSIONS

Part #	Size	L	H (Open)	H (Closed)	D
205U09CNY	2-1/2"	7-1/2	16-5/8	13-3/4	7-1/4
205U10CNY	3"	8	18-7/8	15-3/4	10
205U11CNY	4"	9	21-5/8	17-3/4	10
205U13CNY	6"	10-1/2	29-1/8	23-1/4	12
205U14CNY	8"	11-1/2	36-5/8	28-3/4	14
205U15CNY	10"	13	44-1/2	34-3/4	17-1/2
205U16CNY	12"	14	52	40-1/6	17-1/2

MATERIAL SPECIFICATIONS

No.	Part	Material
1	Body	Ductile Iron ASTM A536 65-45-12
2	Wedge	Ductile Iron EPDM Encapsulated
3	Wedge Nut	Stainless Steel AISI 304
4	Pin	Stainless Steel AISI 420
5	O-ring	EPDM
6	Gasket	EPDM
7	Stem	Stainless Steel AISI 304
8	Bonnet	Ductile Iron ASTM A536 65-45-12
9	Packing	Graphite
10	Gland	Ductile Iron ASTM A536 65-45-12
11	Yoke Nut	Bronze ASTM C95200
12	Washer	Brass
13	Handwheel	Ductile Iron ASTM A536 65-45-12
14	Handwheel Nut	Ductile Iron ASTM A536 65-45-12
15	Bolts	Stainless Steel A2-70
16	Nuts	Stainless Steel A4-70
17	Washers	Stainless Steel AISI 304
18	Bonnet Bolts	Carbon Steel Gr8.8 Zinc Plated



MATCO-NORCA

Global sourcing. National compliance. Local service.

CALIFORNIA 5595 Fresca Dr., La Palma CA 90623
TEXAS 1150 Silber Rd., Houston TX 77055
ILLINOIS 278 Windy Point Dr., Glendale Heights, IL 60139
GEORGIA 113 Industrial Blvd., Americus, Georgia 31709
NEW YORK PO Box 27, Rt.22, Brewster NY 10509
 WEB: www.matco-norca.com

• Phone: 866-532-8306 • Fax: 866-532-8307
 • Phone: 800-935-5456 • Fax: 713-680-2999
 • Phone: 844-412-5068 • Fax: 800-640-2252
 • Phone: 800-433-7526 • Fax: 800-533-5134
 • Phone: 800-431-2082 • Fax: 845-278-9056
 EMAIL: mail@matco-norca.com