

# 205FLF Boiler Drain • Spec Sheet



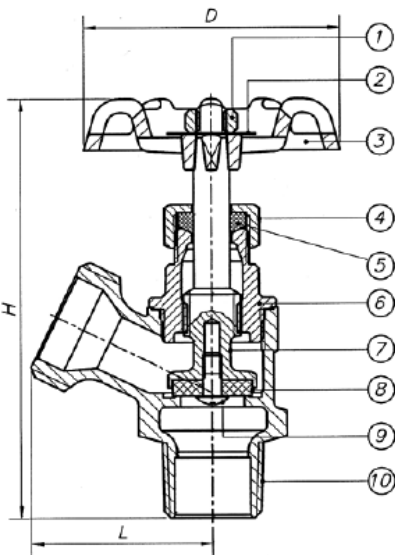
## FEATURES & BENEFITS

- Lead Free Brass\*
- 125 WOG
- Boiler Drain - Full Flow
- Angle Spout
- Stuffing Box
- ISO-9002
- NSF/ ANSI 61, ASME & CSA Approved

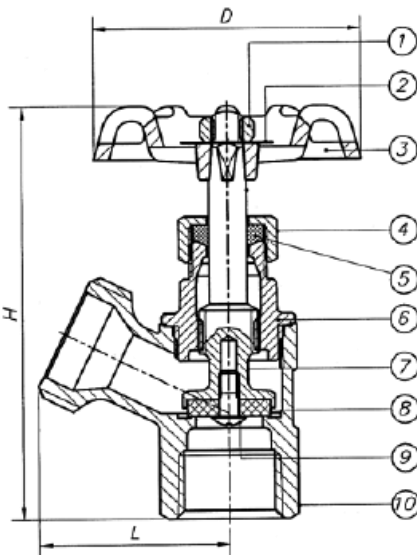
## DIMENSIONS

Part	Size	L	H	D
205F03LF	1/2" MIP x 1/2" Solder	1.46	3.59	2.08
205F04LF	3/4" MIP x 1/2" FIP	1.46	3.59	2.08
205FF3LF	1/2" FIP	1.46	3.35	2.08
205FF4LF	3/4" FIP	1.46	3.35	2.08

205F



205FF



## MATERIAL SPECIFICATIONS

No.	Parts	Material
1	Wheel Nut	Hot Rolled SAE 1010R
2	Name Plate	Aluminum A1100
3	Handle Wheel	Cast Iron
4	Packing Nut	Brass C89550
5	Gland Packing	PTFE
6	Bonnet	Brass C89550
7	Stem	Brass C89550
8	Seat Packing	BUNA
9	Seat Screw	Brass B19 C26000
10	Body	Brass C89550

\*This product complies with 0.25% weighted average lead content on wetted surfaces in accordance with the Safe Drinking Water Act (SDWA) / Federal Public Law No. 111-380.



Global sourcing. National compliance. Local service.

**CALIFORNIA** 5595 Fresca Dr., La Palma CA 90623  
**TEXAS** 1150 Silber Rd., Houston TX 77055  
**ILLINOIS** 278 Windy Point Dr., Glendale Heights, IL 60139  
**GEORGIA** 113 Industrial Blvd., Americus, Georgia 31709  
**NEW YORK** PO Box 27, Rt.22, Brewster NY 10509  
 WEB: [www.matco-norca.com](http://www.matco-norca.com)

• Phone: 866-532-8306 • Fax: 866-532-8307  
 • Phone: 800-935-5456 • Fax: 713-680-2999  
 • Phone: 844-412-5068 • Fax: 800-640-2252  
 • Phone: 800-433-7526 • Fax: 800-533-5134  
 • Phone: 800-431-2082 • Fax: 845-278-9056  
 EMAIL: [mail@matco-norca.com](mailto:mail@matco-norca.com)