

205F Flanged Cast Iron Gate Valve • Spec Sheet



FEATURES & BENEFITS

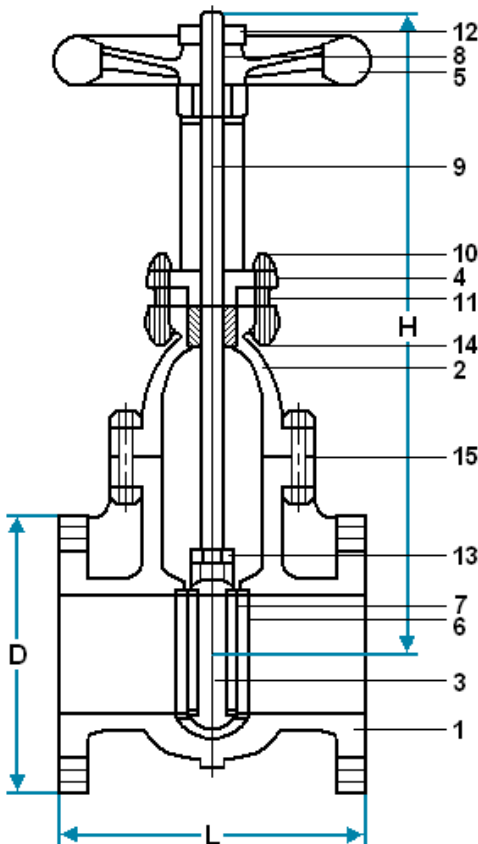
- 200 WOG - 15 PSI
- Bolted Bonnet
- Solid Wedge
- Bituminous Coating
- Outside Stem & Yoke Rising Stem
- Conforms to MSS-SP70
- Flanged Ends Conform with ANSI B16.1
- Sizes 3" - 10"

DIMENSIONS

Part #	Size	L	H	D
205F10	3"	8.00	11.98	7.53
205F11	4"	9.06	15.96	9.02
205F13	6"	10.52	21.67	10.99
205F14	8"	11.50	27.97	13.51
205F15	10"	13.00	34.67	15.99

MATERIAL SPECIFICATIONS

No.	Part	Material
1	Body	Cast Iron A126 CLB
2	Bonnet	Cast Iron A126 CLB
3	Disc	Cast Iron A126 CLB
4	Gland	Cast Iron A126 CLB
5	Handwheel	Cast Iron A126 CLB
6	Body Seat Ring	Bronze B62
7	Disc Seat Ring	Bronze B62
8	Yoke Sleeve	Bronze B62
9	Stem	Stainless Steel 2Cr13
10	Bonnet Nut	Steel
11	Bonnet Bolt	Steel
12	Top Nut	Cast Iron A126 CLB
13	Stem Nut	Bronze B62
14	Packing	PTFE
15	Bonnet Gasket	Non Asbestos Commercial



MATCO-NORCA
 Global sourcing. National compliance. Local service.

CALIFORNIA 5593 Fresca Dr., La Palma CA 90623 • Toll Free: 866-532-8306 • Fax: 866-532-8307
TEXAS 1150 Silber Rd., Houston TX 77055 • Toll Free: 800-935-5456 • Fax: 713-680-2999
NEW YORK PO Box 27, Rt. 22, Brewster NY 10509 • Toll Free: 800-431-2082 • Fax: 845-278-9056
 WEB: www.matco-norca.com EMAIL: mail@matco-norca.com