

# 204 Boiler Drain • Spec Sheet



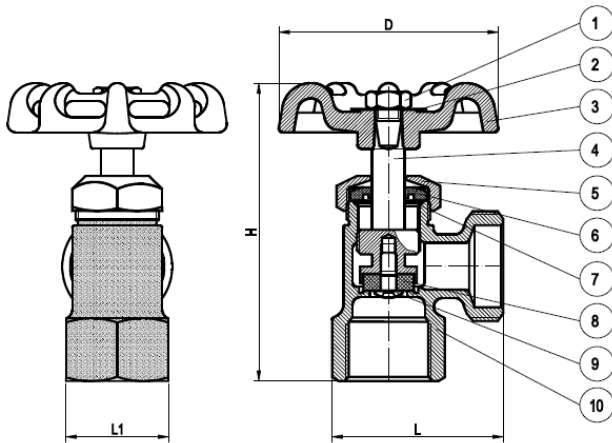
## FEATURES & BENEFITS

- ISO-9002
- 125 WOG
- Boiler Drain-Less Stuffing Box
- UPC & CSA Approved
- Hose x FIP 1/2" & 3/4"
- Hose x MIP 1/2" & 3/4"
- 1/2" MIP x 1/2" Solder Inlet

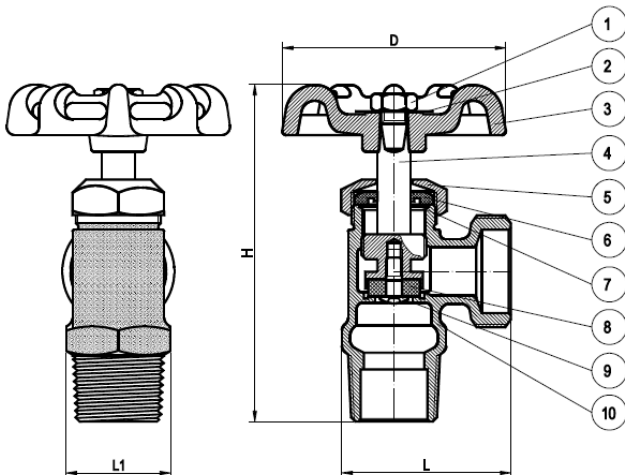
## DIMENSIONS

Part #	Size	H	L	L1	D
204TF3	1/2" Female	2.86	1.64	0.99	2.11
204TF4	3/4" Female	2.99	1.77	1.16	2.11
204TM3	1/2" Male	3.18	1.60	0.99	2.09
204TM4	3/4" Male	3.16	1.73	1.08	2.09

204TF



204TM



## MATERIAL SPECIFICATIONS

No.	Part	Material
1	Wheel Nut	Hot Rolled Wire Rods
2	Name Plate	Aluminum A 1070
3	Handle Wheel	Aluminum A 383
4	Stem	Brass B124 C37700
5	Bonnet	Brass B124 C37700
6	Packing	SN-719F
7	Washer	Stainless Steel 304
8	Seat Packing	SN-719F
9	Seat Screw	JIS H3260 – C2600W
10	Body	Brass B584 C85700

**MATCO-NORCA**

Global sourcing. National compliance. Local service.

**CALIFORNIA** 5595 Fresca Dr., La Palma CA 90623  
**TEXAS** 1150 Silber Rd., Houston TX 77055  
**ILLINOIS** 278 Windy Point Dr., Glendale Heights, IL 60139  
**NEW YORK** PO Box 27, Rt.22, Brewster NY 10509  
 WEB: [www.matco-norca.com](http://www.matco-norca.com)

• Phone: 866-532-8306 • Fax: 866-532-8307  
 • Phone: 800-935-5456 • Fax: 713-680-2999  
 • Phone: 844-412-5068 • Fax: 800-640-2252  
 • Phone: 800-431-2082 • Fax: 845-278-9056  
 EMAIL: [mail@matco-norca.com](mailto:mail@matco-norca.com)