

204LF Boiler Drain • Spec Sheet



FEATURES & BENEFITS

- Lead Free Brass*
- 125 WOG
- Less Stuffing Box
- ISO-9002
- Hose x MIP 1/2" & 3/4"
- 1/2" MIP x 1/2" Solder Inlet

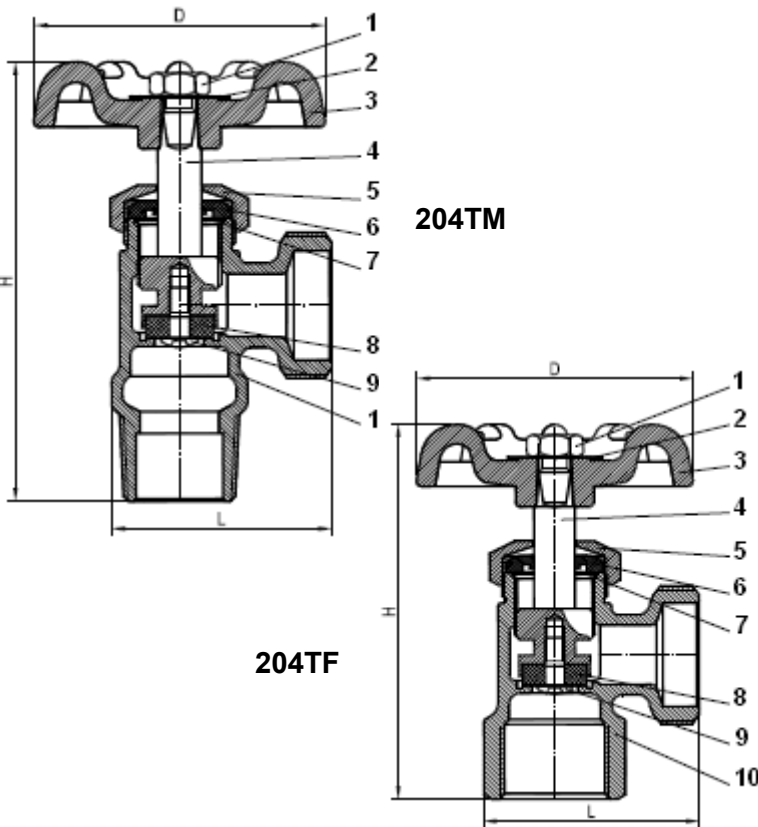
DIMENSIONS

Part #	Size	H	D	L
204TF3LF	1/2" Female	2.87	2.09	1.64
204TF4LF	3/4" Female	2.99	2.06	1.77
204TM3LF	1/2" Male	3.18	2.09	1.60
204TM4LF	3/4" Male	3.16	2.09	1.73

MATERIAL SPECIFICATIONS

No.	Part	Material
1	Wheel Nut	Hot Rolled SAE 1010R
2	Name Plate	Aluminum
3	Handle Wheel	Cast Iron
4	Stem	Brass C89550
5	Bonnet	Brass C89550
6	Packing	Rubber SAE No. 1052#
7	Washer	Stainless Steel 304/306
8	Seat Packing	Rubber SAE No. 1052#
9	Seat Screw	Brass C89550
10	Body	Brass C89550

*This product complies with 0.25% weighted average lead content on wetted surfaces in accordance with the Safe Drinking Water Act (SDWA) / Federal Public Law No. 111-380.



CALIFORNIA 5595 Fresca Dr., La Palma CA 90623
TEXAS 1150 Silber Rd., Houston TX 77055
ILLINOIS 278 Windy Point Dr., Glendale Heights, IL 60139
NEW YORK PO Box 27, Rt.22, Brewster NY 10509
 WEB: www.matco-norca.com

• Phone: 866-532-8306 • Fax: 866-532-8307
 • Phone: 800-935-5456 • Fax: 713-680-2999
 • Phone: 844-412-5068 • Fax: 800-640-2252
 • Phone: 800-431-2082 • Fax: 845-278-9056
 EMAIL: mail@matco-norca.com