

203TF Bent Nose Garden Valve

Specification Sheet

FEATURES & BENEFITS

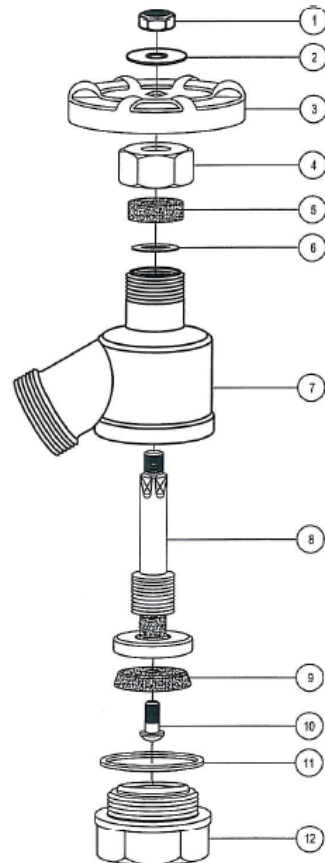
- 125 WOG
- Brass Body
- Hose x FIP
- Sizes 1/2" - 1"

MATERIAL SPECIFICATIONS

No.	Part	Material
1	Wheel Nut	Hot Rolled SAE 1010R
2	Name Plate	Aluminum
3	Handle Wheel	Cast Iron
4	Packing Nut	Brass B124 C37700
5	Packing	Rubber SAE No 1052#
6	Washer	Stainless Steel 304/306
7	Body	Brass B584 C85710
8	Stem	Brass B584 C85710
9	Seat Packing	Rubber SAE No 1052#
10	Seat Screw	Brass B124 C37700
11	Packing	Fibre
12	Bonnet	Brass B584 C85710

DIMENSIONS

Part #	Size
203TF3	1/2" Female x 3/4" MHT
203TF4	3/4" Female x 3/4" MHT
203TF5	1" Female x 3/4" MHT



MATCO
NORCA