

202LF Brass Stop & Waste Valve • Spec Sheet



FEATURES & BENEFITS

- Lead Free Brass*
- ISO-9002
- 125 WOG
- Threaded or Sweat Ends
- Soft Seat
- Sizes 1/2" and 3/4"

APPROVALS: NSF/ANSI 61, CA Lead Plumbing Law, ASME A112.18.1-2005, CSA B125.1-2005, CSA B125.3-2005

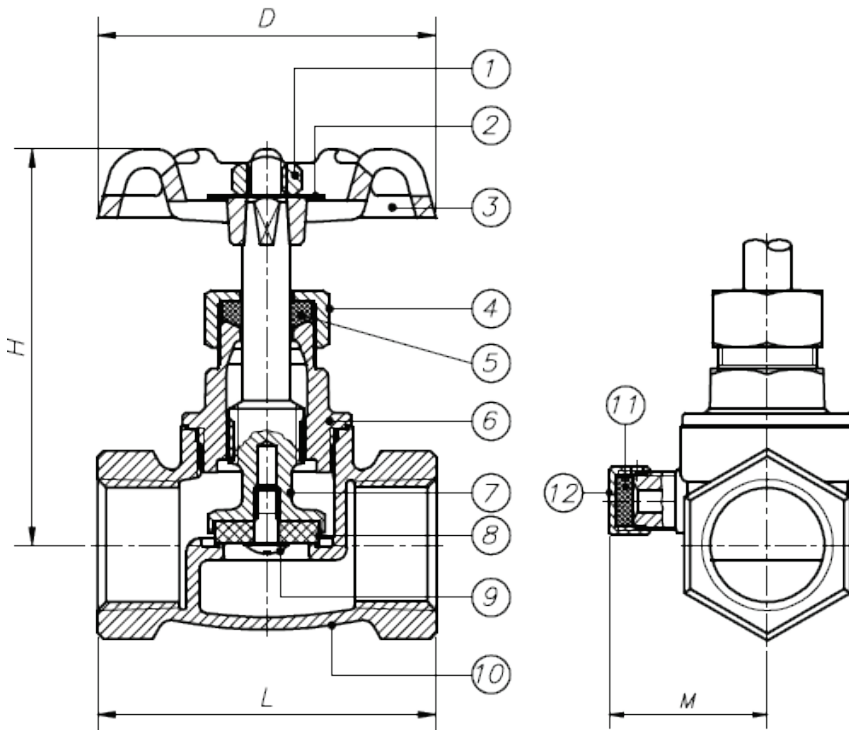
DIMENSIONS

Part #	Size	D	H	L	M
202T03LF	1/2"	2.09	2.52	2.11	0.95
202C03LF	1/2"	2.09	2.52	2.13	0.95
202T04LF	3/4"	2.09	2.52	2.3	0.95
202C04LF	3/4"	2.09	2.52	2.68	0.99

MATERIAL SPECIFICATIONS

No.	Parts	Material
1	Wheel Nut	Hot Rolled SAE 1010R
2	Name Plate	Aluminum A1100
3	Handle Wheel	Cast Iron
4	Packing Nut	Brass B16 C36000
5	Gland Packing	PTFE
6	Bonnet	Brass C89550
7	Stem	Brass C89550
8	Seat Packing	BUNA SN-919F
9	Seat Screw	Brass B19 C26000
10	Body	Brass C89550
11	Packing	BUNA SN-919F
12	Drain Cap	Brass B16 C36000

* These product complies with 0.25% weighted average lead content on wetted surfaces in accordance with Safe Water Drinking Act (SDWA) / Federal Public Law No. 111-380.



Global sourcing. National compliance. Local service.

CALIFORNIA 5593 Fresca Dr., La Palma CA 90623 • Toll Free: 866-532-8306 • Fax: 866-532-8307
TEXAS 1150 Silber Rd., Houston TX 77055 • Toll Free: 800-935-5456 • Fax: 713-680-2999
NEW YORK PO Box 27, Rt. 22, Brewster NY 10509 • Toll Free: 800-431-2082 • Fax: 845-278-9056
 WEB: www.matco-norca.com EMAIL: mail@matco-norca.com