

202CMLF Brass Stop & Waste Valve • Spec Sheet



FEATURES & BENEFITS

- Lead Free Brass*
- ISO-9002
- 125 WOG
- Compression Ends
- With Brass Nut & Ferrule
- Size 1/2" and 3/4"

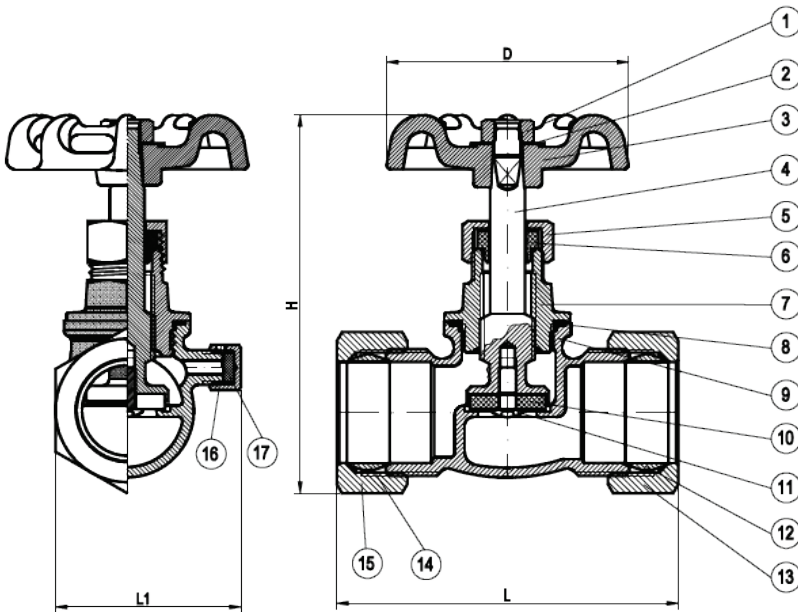
DIMENSIONS

Part #	Size	H	L	L1	D
202CMLF	1/2"	3.14	2.84	1.49	2.11
202CM4LF	3/4"	3.32	2.98	1.72	2.11

MATERIAL SPECIFICATIONS

No.	Part	Material
1	Wheel Nut	Hot RolledSAE 1010R
2	Name Plate	Aluminum A 1070
3	Handle Wheel	Rod-Carbon Steel SAE 1006
4	Stem	Brass C46400
Q	Packing Nut	Brass B124 C37700
6	Packing	EPDM SN-719F
7	Bonnet	Brass C46400
8	Washer	Fibre 'H'
9	Body	Brass C46400
10	Seat Packing	EPDM SN-719F
11	Seat Screw	JIS H3260 C2600W
12	Sleeve	Brass C46400
13	Packing Nut	Brass B124 C37700
14	Sleeve	Brass C46400
15	Packing Nut	Brass B124 C37700
16	Nipple Nut	Brass B124 C37700
17	Packing	EPDM SN-719F

* These product complies with 0.25% weighted average lead content on wetted surfaces in accordance with Safe Water Drinking Act (SDWA) / Federal Public Law No. 111-380.



Global sourcing. National compliance. Local service.

CALIFORNIA 5593 Fresca Dr., La Palma CA 90623 • Toll Free: 866-532-8306 • Fax: 866-532-8307
TEXAS 1150 Silber Rd., Houston TX 77055 • Toll Free: 800-935-5456 • Fax: 713-680-2999
NEW YORK PO Box 27, Rt. 22, Brewster NY 10509 • Toll Free: 800-431-2082 • Fax: 845-278-9056
 WEB: www.matco-norca.com EMAIL: mail@matco-norca.com