

201 BRASS STOP VALVE



❖ Globe Style ❖ Soft Seat

125 PSI CWP

ISO 9001:2000



201T



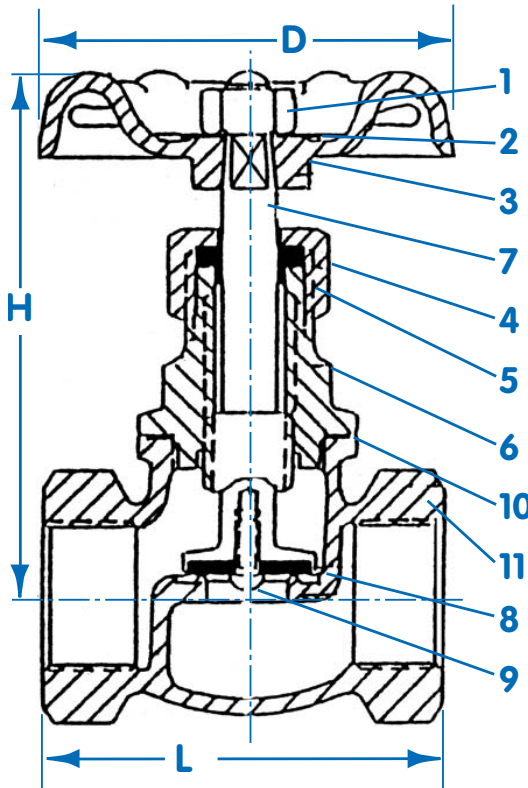
201C



201X

DIMENSIONS

SIZE	H	D	L
1/2"	2.42	2.05	2.09
3/4"	2.42	2.05	2.19



201T: IPS Connection

201C: C x C Connection

201X: IPS Connection With Cross Handle

201XH: Replacement Cross Handle For 1/2" Only

MATERIAL SPECIFICATIONS

NO.	Part	Material	ASTM Designation
1	Wheel Nut	Hot Rolled	SAE 1010R
2	Name Plate	Aluminum	A1070
3	Handle Wheel	JIS	ZZ2202
4	Packing Nut	Brass	C37700
5	Packing	NBR	N67015
6	Bonnet	Brass	B584, C85710
7	Stem	Brass	B584, C85710
8	Seat Washer	NBR	N67015
9	Seat Screw	Brass	C37700
10	Packing	NBR	N67015
11	Body	Brass	B584, C85710



Brewster, NY
 TEL: 800-431-2082
 FAX: 800-640-2252

Houston, TX
 TEL: 800-935-5456
 FAX: 800-683-4247

La Palma, CA
 TEL: 866-532-8306
 FAX: 866-532-8307

Americus, GA
 TEL: 800-433-7526
 FAX: 800-533-5134

e-mail: mail@matco-norca.com

www.matco-norca.com

Product Spec Sheet