

# 201LF Brass Stop Valve • Spec Sheet



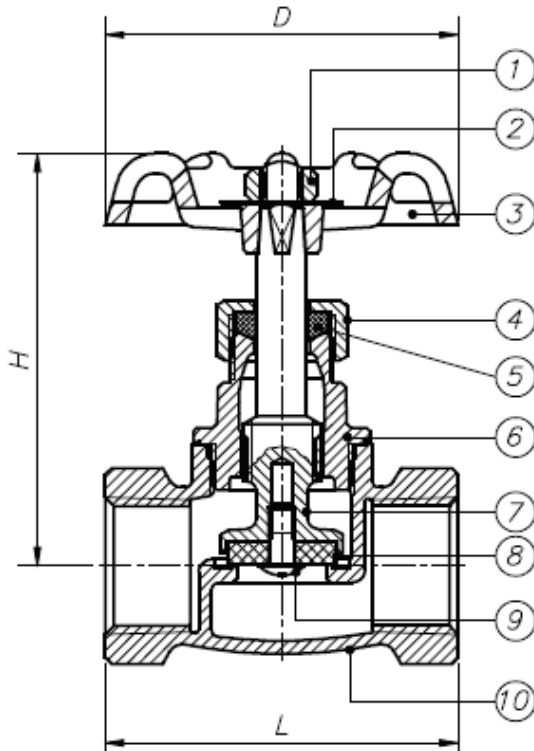
## FEATURES & BENEFITS

- Lead Free Brass\*
- ISO 9002
- 125 WOG
- Soft Seat
- Wheel Handles
- Threaded or Sweat
- Sizes 1/2" and 3/4"

**Approvals:** NSF/ANSI 61 by IAPMO, ASME A112.18.1-2005, CSA B125.1-2005, CSA B125.3-2005

## DIMENSIONS

Part #	Size	D	H	L
201T03LF	1/2"	2.09	2.52	2.11
201T04LF	3/4"	2.09	2.52	2.13
201C03LF	1/2"	2.09	2.52	2.13
201C04LF	3/4"	2.09	2.52	2.68



## MATERIAL SPECIFICATIONS

No.	Parts	Material
1	Wheel Nut	Hot Rolled SAE. 1010R
2	Name Plate	Aluminum A1100
3	Handle Wheel	Cast Iron
4	Packing Nut	Brass B16 C36000
5	Gland Packing	PTFE
6	Bonnet	Brass C89550
7	Stem	Brass C89550
8	Seat Packing	BUNA SN-919F
9	Seat Screw	Brass B19 C26000
10	Body	Brass C89550

\* These product complies with 0.25% weighted average lead content on wetted surfaces in accordance with Safe Water Drinking Act (SDWA) / Federal Public Law No. 111-380.



**Global sourcing. National compliance. Local service.**

**CALIFORNIA** 5593 Fresca Dr., La Palma CA 90623 • Toll Free: 866-532-8306 • Fax: 866-532-8307  
**TEXAS** 1150 Silber Rd., Houston TX 77055 • Toll Free: 800-935-5456 • Fax: 713-680-2999  
**NEW YORK** PO Box 27, Rt. 22, Brewster NY 10509 • Toll Free: 800-431-2082 • Fax: 845-278-9056  
 WEB: [www.matco-norca.com](http://www.matco-norca.com) EMAIL: [mail@matco-norca.com](mailto:mail@matco-norca.com)