

# 201CMLF Brass Stop Valve • Spec Sheet



## FEATURES & BENEFITS

- Lead Free Brass\*
- ISO-9002
- 125 WOG
- Compression Ends
- With Brass Nut & Ferrule
- Size 1/2" and 3/4"

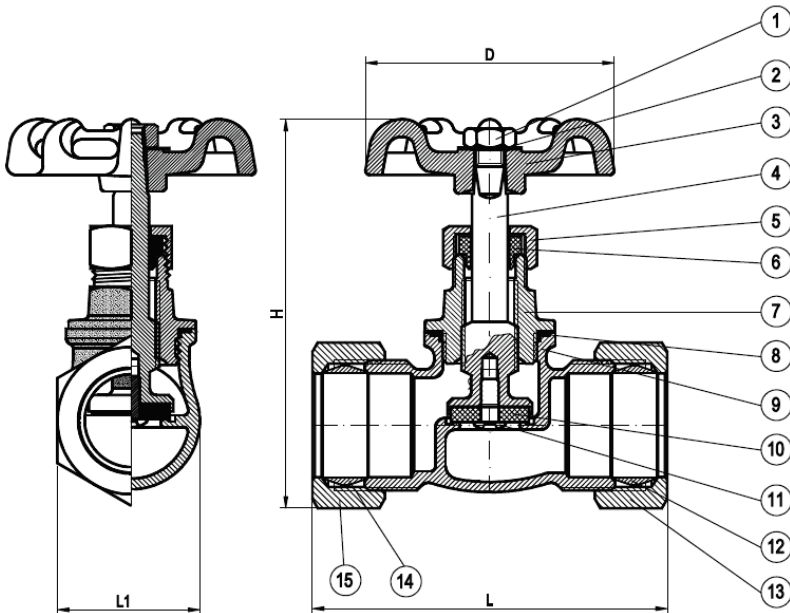
## DIMENSIONS

Part #	Size	H	L	L1	D
201CMPLF	1/2"	3.12	2.86	2.86	2.11
201CM4LF	3/4"	3.30	3.01	1.21	2.11

## MATERIAL SPECIFICATIONS

No.	Part	Material
1	Wheel Nut	Hot Rolled SAE 1010R
2	Name Plate	Aluminum A 1070
3	Handle Wheel	Rod-Carbon Steel SAE 1006
4	Stem	Brass C46400
5	Packing Nut	Brass B124 C37700
6	Packing	EPDM SN-719F
7	Bonnet	Brass C46400
8	Washer	Fibre 'H'
9	Body	Brass C46400
10	Seat Packing	EPDM SN-719F
11	Seat Screw	JIS H3260 C2600W
12	Sleeve	Brass C46400
13	Packing Nut	Brass B124 C37700
14	Sleeve	Brass C46400
15	Packing Nut	Brass B124 C37700

\* These product complies with 0.25% weighted average lead content on wetted surfaces in accordance with Safe Water Drinking Act (SDWA) / Federal Public Law No. 111-380.



Global sourcing. National compliance. Local service.

**CALIFORNIA** 5593 Fresca Dr., La Palma CA 90623 • Toll Free: 866-532-8306 • Fax: 866-532-8307  
**TEXAS** 1150 Silber Rd., Houston TX 77055 • Toll Free: 800-935-5456 • Fax: 713-680-2999  
**NEW YORK** PO Box 27, Rt. 22, Brewster NY 10509 • Toll Free: 800-431-2082 • Fax: 845-278-9056  
 WEB: [www.matco-norca.com](http://www.matco-norca.com) EMAIL: [mail@matco-norca.com](mailto:mail@matco-norca.com)