

200T Globe Valve • Spec Sheet



FEATURES & BENEFITS

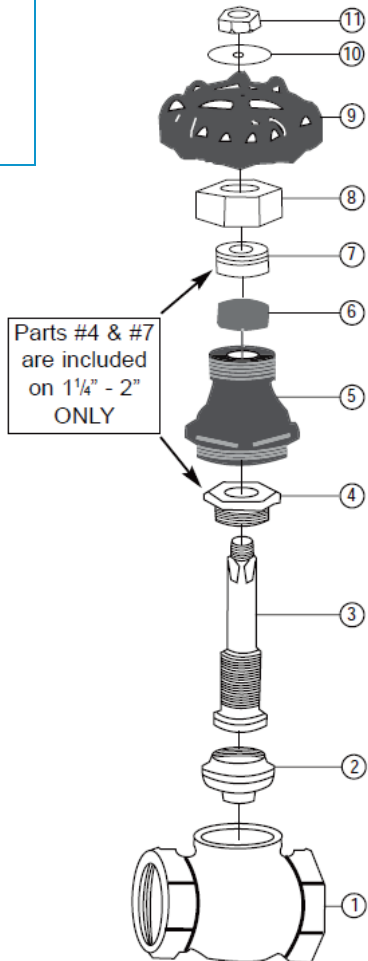
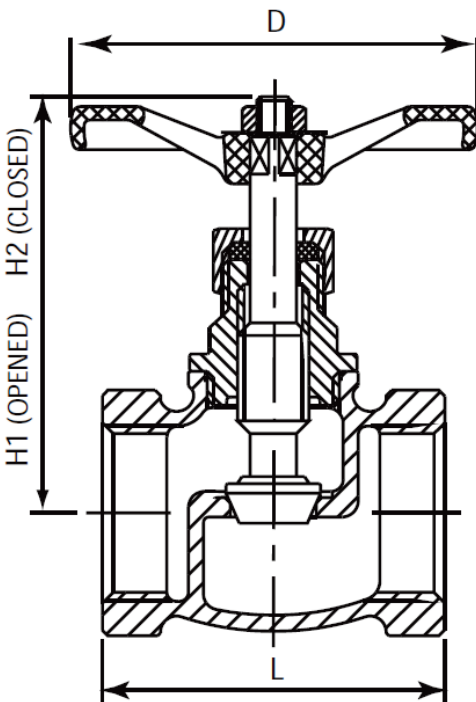
- ISO 9002
- 200 WOG
- Threaded Ends
- Rising Stem
- Screwed Bonnet
- Integral Hard Seat & Swivel Disc
- Cast Iron Handle
- Sizes 1/4" - 2"

DIMENSIONS

Size	Part #	L	H1	H2	D
3/8"	200T02	1.85	2.72	2.38	2.12
1/2"	200T03	1.89	2.66	2.50	2.12
3/4"	200T04	2.20	2.97	2.75	2.19
1"	200T05	2.54	3.75	3.38	2.76
1-1/4"	200T06	2.91	4.33	3.75	2.95
1-1/2"	200T07	2.91	5.12	4.50	3.31
2"	200T08	3.91	6.02	5.25	3.74

MATERIAL SPECIFICATIONS

No.	Part	Material
1	Body	Bronze C84400
2	Disc	Brass C36000
3	Stem	Brass C36000
4	Lock Nut	Brass C36000
5	Bonnet	Brass C3770
6	Packing	Graphite
7	Gland Ring	Brass C36000
8	Packing Nut	Brass C36000
9	Handwheel	Cast Iron
10	I.D. Tag	Aluminum
11	Wheel Nut	Hot Rolled Plated Steel




MATCO-NORCA
 Global sourcing. National compliance. Local service.

CALIFORNIA 5593 Fresca Dr., La Palma CA 90623 • Toll Free: 866-532-8306 • Fax: 866-532-8307
TEXAS 1150 Silber Rd., Houston TX 77055 • Toll Free: 800-935-5456 • Fax: 713-680-2999
NEW YORK PO Box 27, Rt. 22, Brewster NY 10509 • Toll Free: 800-431-2082 • Fax: 845-278-9056
 WEB: www.matco-norca.com EMAIL: mail@matco-norca.com