

200RTD Ductile Iron Gate Valve • Spec Sheet



FEATURES & BENEFITS

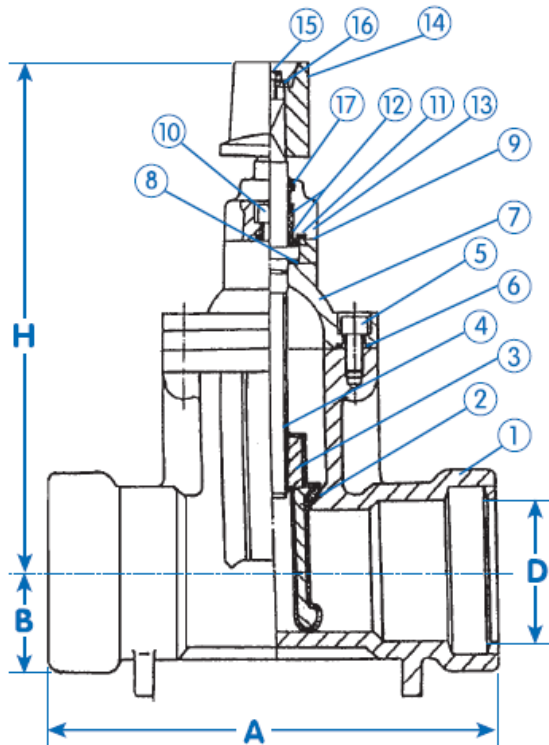
- Ductile Iron Body
- Resilient Wedge
- Ring-Tite Ends
- Fusion Bonded Epoxy Coating
- Non Rising Stem
- 250 CWP
- Meets AWWA C-515 standard
- Push On Ends for IPS PVC O.D. Pipe
- Sizes 2" - 12"

APPLICATIONS

Golf Course, Irrigation, Turf,
Water Distribution Services & Feed Lines

DIMENSIONS

Size	Part #	A	B	H	D	Approx. WT. LBS
2"	200RTD08	10.52	2.36	9.85	2.48	28
2-1/2"	200RTD09	10.76	2.56	11.07	2.99	42
3"	200RTD10	10.76	2.96	12.49	3.62	44
4"	200RTD11	13.75	3.55	13.36	4.69	69
6"	200RTD13	16.89	4.73	16.59	6.76	119
8"	200RTD14	18.51	5.91	20.76	8.75	203
10"	200RTD15	21.24	7.09	24.35	10.91	278
12"	200RTD16	26.48	8.12	27.58	12.90	421



Enlarged Drawing On Page 2
(Click Here)

MATERIAL SPECIFICATIONS

No.	Part	Material	ASTM Designation
1	Body	Ductile Iron	A536 65/45/12
2	Disc	Ductile Iron Rubber Encapsulated	A536 65/45/12 / BUNA-N
3	Stem Nut	Bronze	B584 UNS C83600
4	Stem	Stainless Steel	AISI 410 UNS S41000
5	Bonnet Bolt	Stainless Steel	GR 304
6	Bonnet Gasket	BUNA-N	Commercial
7	Bonnet	Ductile Iron	A536 65/45/12
8	Split Ring	Brass	B16 UNS C36000
9	Thrust Washer	Stainless Steel	GR 304
10	Packing Box Bolt	Stainless Steel	GR 304
11	Packing Box Gasket	BUNA-N	Commercial
12	O-Rings	BUNA-N	Commercial
13	Packing Box	Ductile Iron	A536 65/45/12
14	Operating Nut	Ductile Iron	A536 65/45/12
15	Top Bolt	Stainless Steel	GR 304
16	Washer	Stainless Steel	AISI 410 UNS S41000
17	Wiper Ring	BUNA-N	Commercial

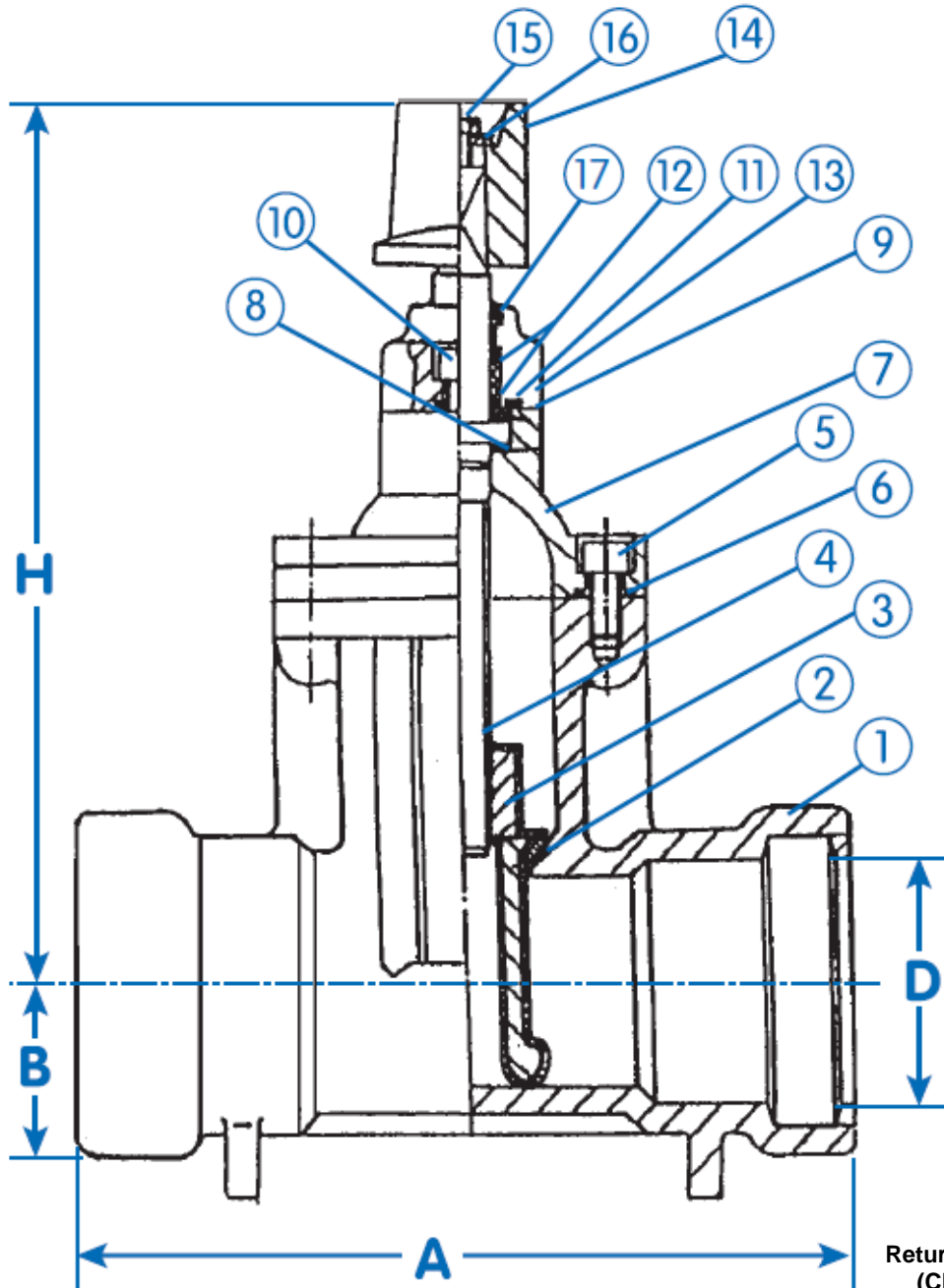


MATCO-NORCA

Global sourcing. National compliance. Local service.

CALIFORNIA 5593 Fresca Dr., La Palma CA 90623 • Toll Free: 866-532-8306 • Fax: 866-532-8307
TEXAS 1150 Silber Rd., Houston TX 77055 • Toll Free: 800-935-5456 • Fax: 713-680-2999
NEW YORK PO Box 27, Rt. 22, Brewster NY 10509 • Toll Free: 800-431-2082 • Fax: 845-278-9056
 WEB: www.matco-norca.com EMAIL: mail@matco-norca.com

200RTD Ductile Iron Gate Valve • Spec Sheet



[Return To Page 1 \(Click Here\)](#)



MATCO-NORCA

Global sourcing. National compliance. Local service.

CALIFORNIA 5593 Fresca Dr., La Palma CA 90623 • Toll Free: 866-532-8306 • Fax: 866-532-8307
TEXAS 1150 Silber Rd., Houston TX 77055 • Toll Free: 800-935-5456 • Fax: 713-680-2999
NEW YORK PO Box 27, Rt. 22, Brewster NY 10509 • Toll Free: 800-431-2082 • Fax: 845-278-9056
WEB: www.matco-norca.com EMAIL: mail@matco-norca.com

200RTD Ductile Iron Gate Valve • Spec Sheet

Valve Closure Wheel Rotation Specification for 200MD, WD & RTD Series Gate Valves

The following table notes how many Stem/Wheel rotations are required to completely open or close the 200MD/WD&RTD Series Valves.

Valve Size	Turns to Shut Off
2"	7
2-1/2"	9
3"	10
4"	13
6"	15
8"	17
10"	21
12"	25

