

# 200AL Brass Angle Globe Valve • Spec Sheet

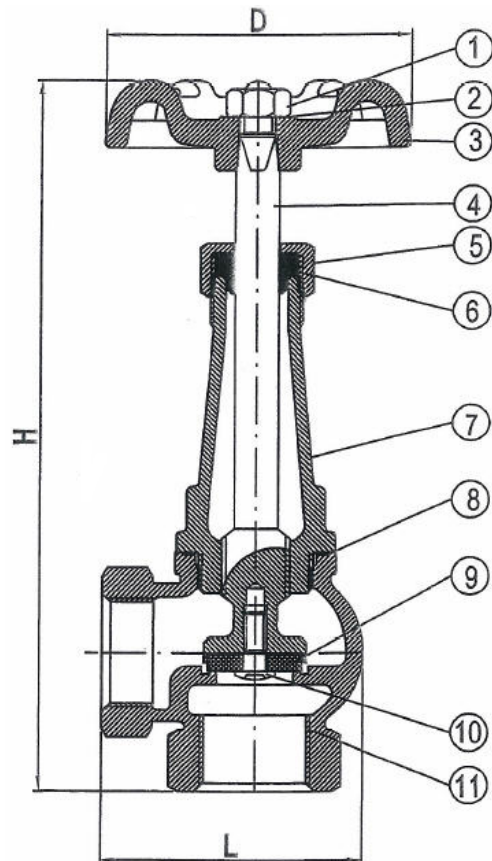


## FEATURES & BENEFITS

- ISO 9002
- 125 PSI
- Brass Globe Valve
- Long Bonnet
- Angle Pattern
- Soft Seats
- 1/2" Only Threaded & Sweat

## DIMENSIONS

Part #	Size	H	L	D
200ALT3	1/2"	4.85	1.65	2.13
200ALC3	1/2"	4.73	1.73	2.13



## MATERIAL SPECIFICATIONS

No.	Part	Material
1	Nut	Steel SAE 1010R
2	Name Plate	Aluminum A 1070
3	Handle Wheel	Cast Iron
4	Stem	Brass B584, C85710
5	Packing Nut	Brass C37700
6	Packing	BUNA-N
7	Bonnet	Brass B584, C85710
8	Packing	FIBRE "H"
9	Seat Packing	BUNA-N
10	Seat Screw	Brass C37700
11	Body	Brass B584, C85710


**MATCO-NORCA**  
 Global sourcing. National compliance. Local service.

**CALIFORNIA** 5593 Fresca Dr., La Palma CA 90623 • Toll Free: 866-532-8306 • Fax: 866-532-8307  
**TEXAS** 1150 Silber Rd., Houston TX 77055 • Toll Free: 800-935-5456 • Fax: 713-680-2999  
**NEW YORK** PO Box 27, Rt. 22, Brewster NY 10509 • Toll Free: 800-431-2082 • Fax: 845-278-9056  
 WEB: [www.matco-norca.com](http://www.matco-norca.com) EMAIL: [mail@matco-norca.com](mailto:mail@matco-norca.com)