

200ALLF Brass Angle Globe Valve • Spec Sheet



FEATURES & BENEFITS

- Lead Free Brass*
- ISO 9002
- Long Bonnet
- Angle Pattern
- Soft Seat
- Size 1/2" Threaded or Solder Ends

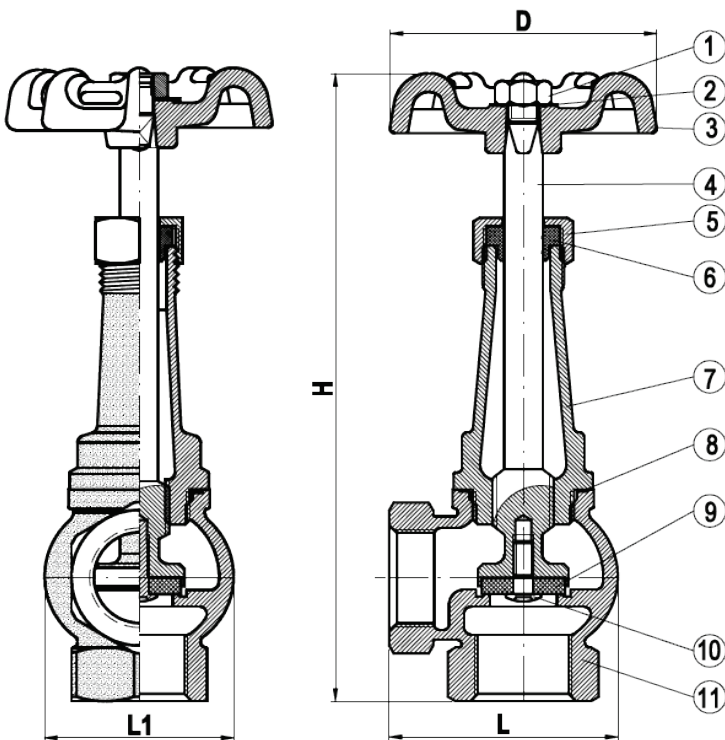
DIMENSIONS

Part #	Size	H	L	L1	D
200ALT3LF	1/2" Threaded	4.96	1.81	1.10	2.11
200ALC3LF	1/2" Sweat	4.81	1.83	1.46	2.11

MATERIAL SPECIFICATIONS

No.	Part	Material
1	Wheel Nut	Hot Rolled Wire Rods
2	Name Plate	Aluminum
3	Hand Wheel	Carbon Steel
4	Stem	Brass C46400
5	Packing Nut	Brass B124 C37700
6	Packing	BUNA SN-719F
7	Bonnet	Brass C46400
8	Washer	FIBRE 'H'
9	Seat Packing	BUNA SN-719F
10	Seat Screw	JIS H3260 C2600W
11	Body	Brass C46400

* These product complies with 0.25% weighted average lead content on wetted surfaces in accordance with Safe Water Drinking Act (SDWA) / Federal Public Law No. 111-380.



Global sourcing. National compliance. Local service.

CALIFORNIA 5593 Fresca Dr., La Palma CA 90623 • Toll Free: 866-532-8306 • Fax: 866-532-8307
TEXAS 1150 Silber Rd., Houston TX 77055 • Toll Free: 800-935-5456 • Fax: 713-680-2999
NEW YORK PO Box 27, Rt. 22, Brewster NY 10509 • Toll Free: 800-431-2082 • Fax: 845-278-9056
 WEB: www.matco-norca.com EMAIL: mail@matco-norca.com