

Series 15SS Ball Valve

Economy Ball Valve, Standard Port

Sizes 1/4" ~ 2"



The SVF Series 15SS standard port ball valves are designed for general purpose performance in a wide variety of utility applications. The 15SS is an economical, manually operated valve that meets industry requirements for performance and dependability.

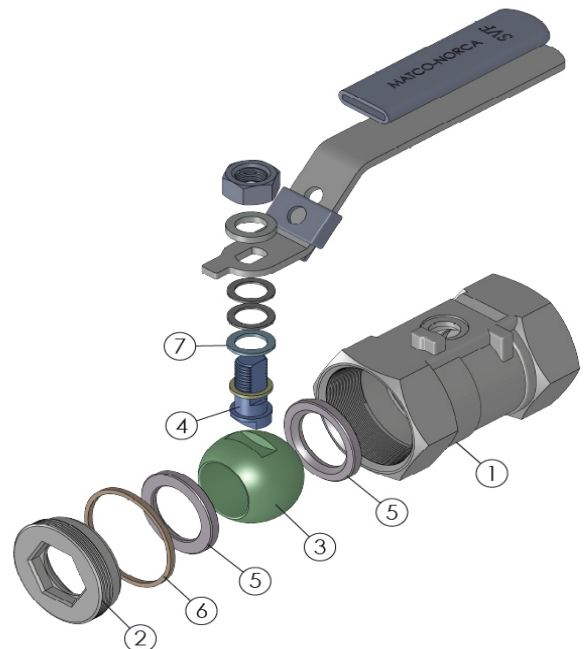
SERIES 15SS DESIGN FEATURES

- ✓ 316 Stainless Steel body, ball and stem
- ✓ Pressure rated for 800 WOG
- ✓ Designed & built for economical performance
- ✓ Threaded end connectors
- ✓ Lightweight and economical
- ✓ Vinyl grip handle
- ✓ Blowout proof stem adds safety & reliability
- ✓ Lockable in the "Open" or "Closed" position



MATERIALS OF CONSTRUCTION

ITEM	DESCRIPTION	MATERIALS SPECIFICATIONS
1	Body	316 Stainless Steel (ASTM A351 CF8M)
2	End Connector	316L Stainless Steel (ASTM A351 CF8M)
3	Ball	316 Stainless Steel (ASTM A351 CF8M)
4	Stem	316 Stainless Steel (ASTM A276 316)
5	Seat	RTFE
6	Body Seal	PTFE
7	Stem Seal	PTFE



What do you need today?™



Series 15SS Ball Valve

Economy Ball Valve, Standard Port

Sizes 1/4" ~ 2"

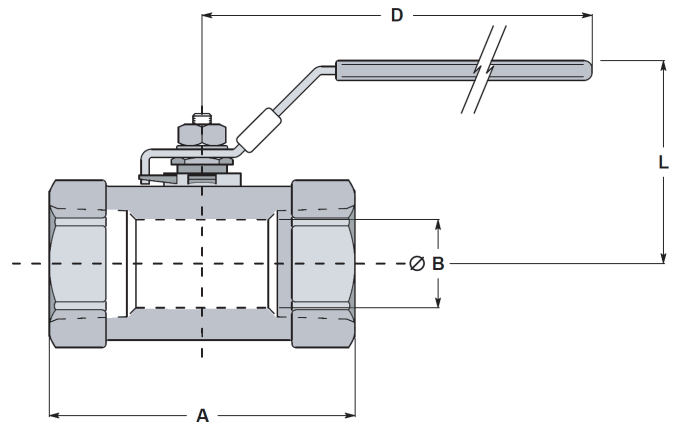
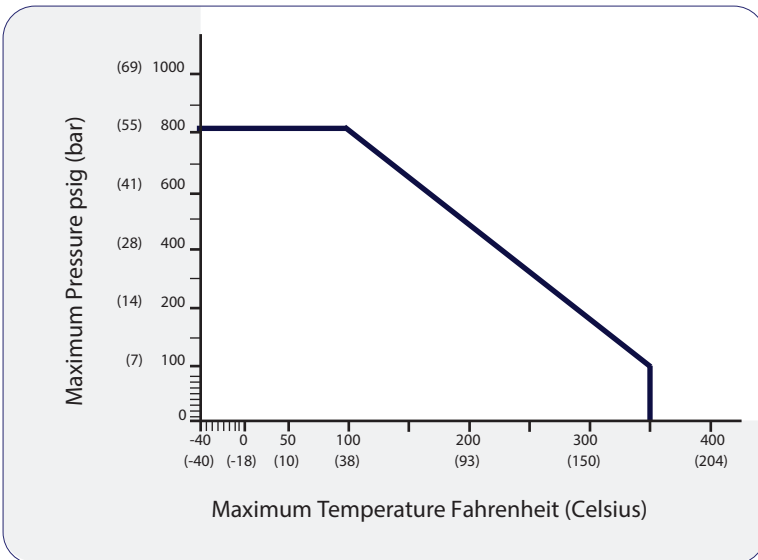


DIMENSIONS, WEIGHT, C V

Size	A		B		D		L		Weight		Cv
	in.	mm	in.	mm	in.	mm	in.	mm	lbs	kg	
1/4"	1.54	39	0.20	5.0	2.72	69	1.38	35	0.15	0.07	4
3/8"	1.73	44	0.28	7.2	3.11	79	1.42	36	0.25	0.11	4
1/2"	2.25	57	0.36	9.2	4.29	109	1.57	40	0.38	0.16	5
3/4"	2.32	59	0.49	12.50	4.29	109	1.65	42	0.55	0.25	9
1"	2.80	71	0.59	15.0	4.41	112	1.85	47	0.95	0.43	16
1-1/4"	3.07	78	0.79	20.0	4.41	112	2.09	53	1.54	0.69	24
1-1/2"	3.27	83	0.98	25.0	6.18	157	2.44	62	1.87	0.84	37
2"	3.94	100	1.18	32	6.18	157	264	67	2.86	1.29	68

15SS - PRESSURE/TEMPERATURE CHART

* At full differential pressure for clean fluids



Class 300

Note: Maximum pressure & temperature is limited to the seat material rating

15SS Series Part Numbers

Size	Part #	Size	Part #
1/4"	15SSTH01	1"	15SSTH05
3/8"	15SSTH02	1 1/4"	15SSTH06
1/2"	15SSTH03	1-1/2"	15SSTH07
3/4"	15SSTH04	2"	15SSTH08