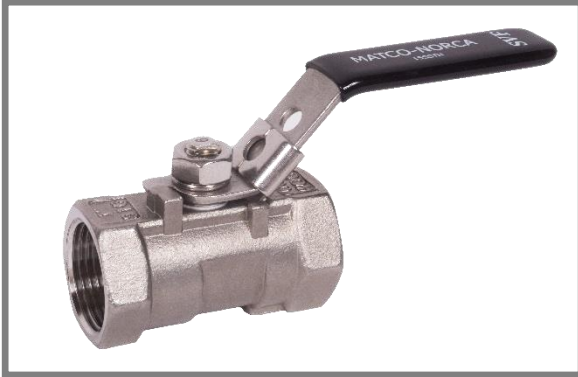


15SSTH S.S. Threaded Ball Valve • Spec Sheet

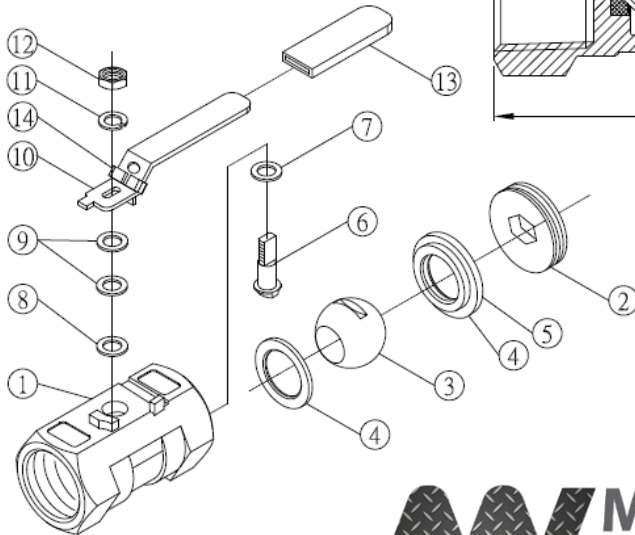
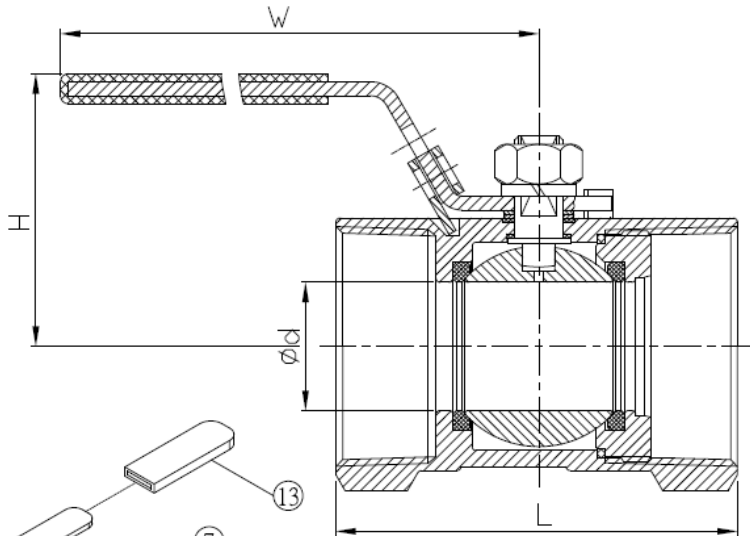


FEATURES & BENEFITS

- Reduced Port
- One Piece
- 150 lb. WSP
- W.P. 1000WOG
- W.T. -4°F - 392°F
- 316 Stainless Steel Body
- Investment Casting
- Blow-out Proof Stem
- Locking Handle
- Thread Type: ASTM B1.20.1 (NPT)
- Sizes 1/4" - 2"

MATERIAL SPECIFICATIONS

No.	Part	Material
1	Body	Stainless Steel 316
2	Insert	Stainless Steel 316
3	Ball	Stainless Steel 316
4	Seat	R. PTFE
5	Gasket	R. PTFE
6	Stem	Stainless Steel 316
7	Thrust Washer	R. PTFE
8	Packing	R. PTFE
9	Washer	Stainless Steel 304
10	Handle	Stainless Steel 304
11	Spring Washer	Stainless Steel 304
12	Stem Nut	Stainless Steel 304
13	Plastic Cover	Plastic
14	Locking Device	Stainless Steel 304



DIMENSIONS

Part #	Size	d	L	H	W	Cv	Torque N.M	Weight (lb)
15SSTH01	1/4"	0.20	1.54	1.34	2.72	4.0	3.5	0.15
15SSTH02	3/8"	0.28	1.73	1.50	3.19	4.0	4.6	0.24
15SSTH03	1/2"	0.39	2.32	1.62	3.78	4.5	5.8	0.40
15SSTH04	3/4"	0.51	2.36	1.77	3.78	9.0	9.2	0.57
15SSTH05	1"	0.63	2.84	2.05	4.57	16.0	11.5	0.86
15SSTH06	1-1/4"	0.79	3.03	2.25	4.57	24.0	16.1	1.30
15SSTH07	1-1/2"	0.99	3.31	2.44	6.23	37.0	20.7	1.81
15SSTH08	2"	1.26	3.94	2.68	6.23	68.0	28.7	2.71



CALIFORNIA 5595 Fresca Dr., La Palma CA 90623
TEXAS 1150 Silber Rd., Houston TX 77055
ILLINOIS 278 Windy Point Dr., Glendale Heights, IL 60139
GEORGIA 113 Industrial Blvd., Americus, Georgia 31709
NEW YORK PO Box 27, Rt.22, Brewster NY 10509
 WEB: www.matco-norca.com

• Phone: 866-532-8306 • Fax: 866-532-8307
 • Phone: 800-935-5456 • Fax: 713-680-2999
 • Phone: 844-412-5068 • Fax: 800-640-2252
 • Phone: 800-433-7526 • Fax: 800-533-5134
 • Phone: 800-431-2082 • Fax: 845-278-9056
 EMAIL: mail@matco-norca.com