

# 150F Cast Iron Globe Valve • Spec Sheet

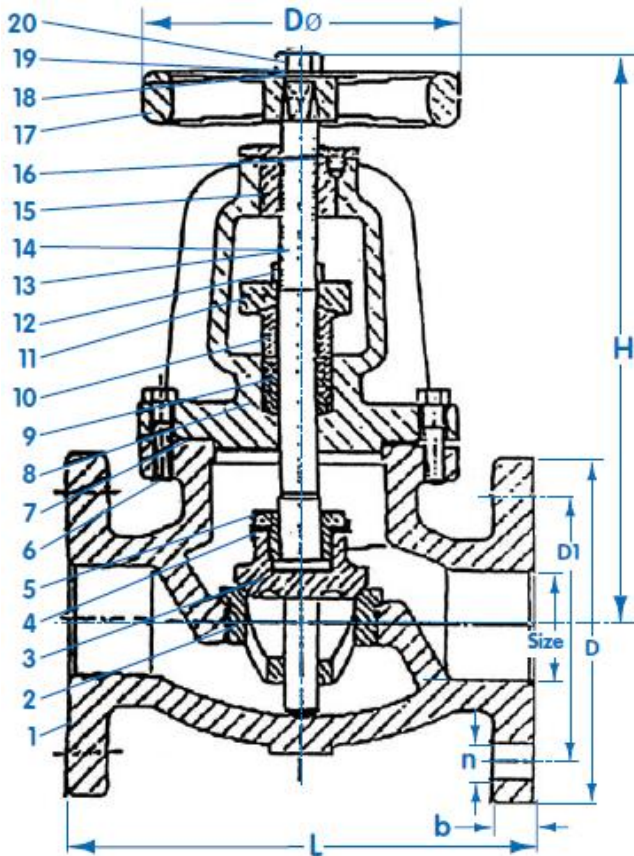


## FEATURES & BENEFITS

- Globe Valve - Flanged Ends
- 200 WOG - 125 SWP
- Bituminous Coating
- Bolted Bonnet
- Outside Screw & Yoke Rising Stem
- MSS-SP-85 Conformance
- Flanged Ends Conform with ANSI B16.1
- Sizes 2" - 8"

## DIMENSIONS

Size	L	D	D1	b	n	DØ	H	Cv	Approx Wt. LBS
2"	8.0	5.99	4.77	.63	4	7.01	10.20	45	35.3
2-1/2"	8.5	7.01	5.52	.69	4	7.01	11.82	70	46.3
3"	9.5	7.49	6.01	.75	4	7.88	12.53	105	57.3
4"	11.5	9.01	7.51	.94	8	10.01	15.84	195	97.8
6"	14.0	11.01	9.51	1.00	8	11.82	18.87	465	183.0
8"	19.5	13.51	11.76	1.13	8	13.71	21.16	860	297.6



## MATERIAL SPECIFICATIONS

No.	Part	Material	ASTM Designation
1	Body	Cast Iron	A126 Class B
2	Seat Ring	Cast Bronze	B62
3	Disc	Cast Bronze	B62
4	Disc Washer	Brass	B16
5	Swivel Nut	Cast Brass	B584
6	Bolt	Steel	A307-B
7	Body Gasket	Non-Asbestos	
8	Bonnet	Cast Iron	A126 Class B
9	Packing	Non-Asbestos	
10	Packing Gland	Steel	B584
11	Gland Follower	Ductile Iron	A536 65-45-12
12	Bolt	Steel	A307-B
13	Nut	Steel	A307-B
14	Stem	Brass	B16
15	Yoke Bushing	Cast Bronze	B62
16	Screw	Steel	A307-B
17	Handwheel	Cast Iron	A126 Class B
18	Identification Plate	Aluminum	
19	Washer	Steel	A307-B
20	Nut	Steel	A307-B



**CALIFORNIA** 5595 Fresca Dr., La Palma CA 90623  
**TEXAS** 1150 Silber Rd., Houston TX 77055  
**ILLINOIS** 278 Windy Point Dr., Glendale Heights, IL 60139  
**GEORGIA** 113 Industrial Blvd., Americus, Georgia 31709  
**NEW YORK** PO Box 27, Rt.22, Brewster NY 10509  
 WEB: [www.matco-norca.com](http://www.matco-norca.com)

• Phone: 866-532-8306 • Fax: 866-532-8307  
 • Phone: 800-935-5456 • Fax: 713-680-2999  
 • Phone: 844-412-5068 • Fax: 800-640-2252  
 • Phone: 800-433-7526 • Fax: 800-533-5134  
 • Phone: 800-431-2082 • Fax: 845-278-9056  
 EMAIL: [mail@matco-norca.com](mailto:mail@matco-norca.com)