

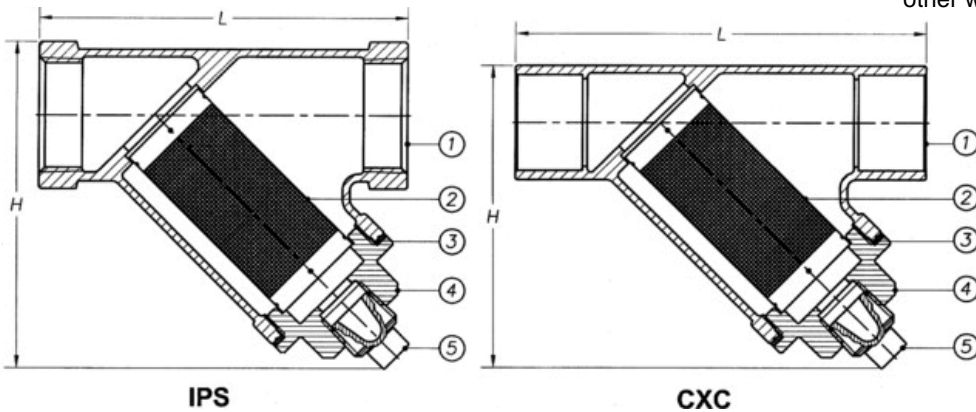
145 Bronze Y Strainer • Spec Sheet



FEATURES & BENEFITS

- ISO-9002
- 300 WOG-150 SWP
- Heavy Duty Bronze Body
- 20 Mesh Stainless Steel Screen
- Screwed Cap with Plug
- Threaded Ends Comply with ANSI B2.1
- Solder Ends Comply with ANSI B16.18
- Sizes 1/4" - 3"

APPLICATIONS: Install on water-flow prior to valves, pumps, meters, etc, to protect them from rust, dirt and other water debris in the water line.



MATERIAL SPECIFICATIONS

No.	Part	Material
1	Body	Bronze B584 C84400
2	Filter	Stainless Steel 304
3	Packing	Fibre "H"
4	Bonnet	Bronze B584 C84400
5	Plug	Bronze B584 C84400

DIMENSIONS & FLOW RATE

Part# IPS	Part # CxC	Size	H IPS	L IPS	Flow Rate (GPM/25 PSI) IPS	Pressure Drop (PSI) IPS	Max. Temp. (°F) IPS	H CxC	L CxC	Flow Rate (GPM/25 PSI) CxC	Pressure Drop (PSI) CxC	Max. Temp. (°F) CxC	Tap Size
145T01	145C01	1/4"	3.03	3.21	11.09	10	400	2.82	3.35	11.09	10	400	3/8"
145T02	145C02	3/8"	3.03	3.23	12.95	10	400	2.82	3.41	12.95	10	400	3/8"
145T03	-	1/2"	3.01	3.23	16.32	10	400	2.84	3.43	16.32	10	400	3/8"
145T04	-	3/4"	3.49	3.94	30.95	10	400	3.27	4.31	30.97	10	400	3/8"
145T05	145C05	1"	4.03	4.53	53.07	10	400	3.78	5.10	53.07	10	400	1/2"
145T06	-	1-1/4"	4.71	5.34	87.90	10	400	4.37	5.91	87.90	10	400	1/2"
145T07	145C07	1-1/2"	5.02	6.21	122.09	10	400	4.83	6.90	122.09	10	400	1/2"
145T08	145C08	2"	6.15	7.45	142.15	10	400	5.91	8.63	147.15	10	400	1/2"
145T09	-	2-1/2"	7.23	8.94	268.80	10	400	-	-	-	-	-	1/2"
145T10	-	3"	7.86	10.01	318.10	10	400	-	-	-	-	-	1/2"

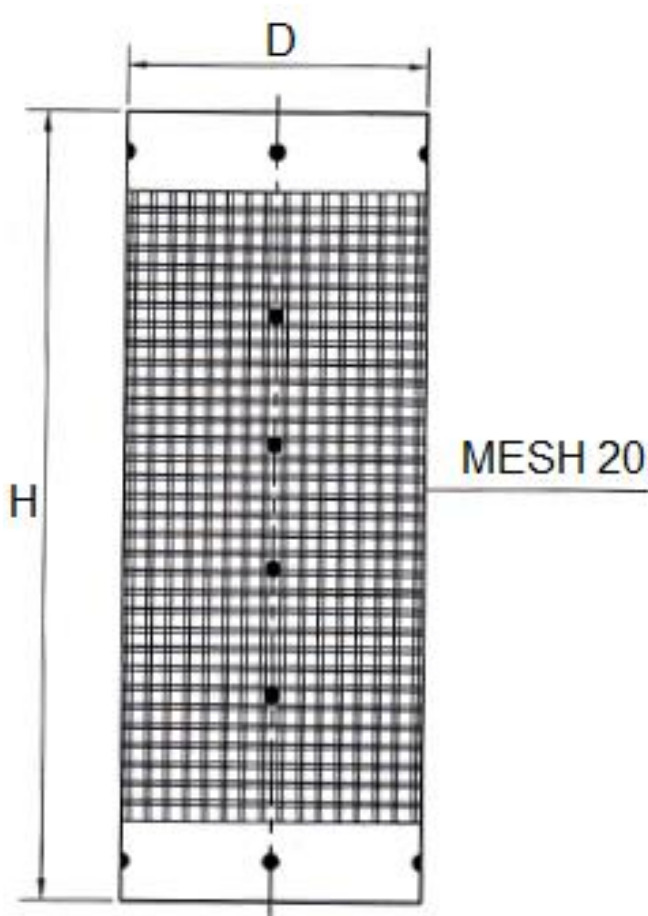
 **MATCO-NORCA**
Global sourcing. National compliance. Local service.

CALIFORNIA 5595 Fresca Dr., La Palma CA 90623
TEXAS 1150 Silber Rd., Houston TX 77055
ILLINOIS 278 Windy Point Dr., Glendale Heights, IL 60139
GEORGIA 113 Industrial Blvd., Americus, Georgia 31709
NEW YORK PO Box 27, Rt.22, Brewster NY 10509
 WEB: www.matco-norca.com

• Phone: 866-532-8306 • Fax: 866-532-8307
 • Phone: 800-935-5456 • Fax: 713-680-2999
 • Phone: 844-412-5068 • Fax: 800-640-2252
 • Phone: 800-433-7526 • Fax: 800-533-5134
 • Phone: 800-431-2082 • Fax: 845-278-9056
 EMAIL: mail@matco-norca.com

145 Bronze Y Strainer • Spec Sheet

SCREEN DIMENSIONS



DIMENSIONS

Size	D	H
1/4" – 1/2"	0.80	1.95
3/4"	0.98	2.34
1"	1.15	2.66
1-1/4"	1.43	3.16
1-1/2"	1.78	3.59
2"	2.21	4.81
2-1/2"	2.76	5.44
3"	3.25	6.17

 **MATCO-NORCA**
Global sourcing. National compliance. Local service.

CALIFORNIA 5595 Fresca Dr., La Palma CA 90623
TEXAS 1150 Silber Rd., Houston TX 77055
ILLINOIS 278 Windy Point Dr., Glendale Heights, IL 60139
GEORGIA 113 Industrial Blvd., Americus, Georgia 31709
NEW YORK PO Box 27, Rt.22, Brewster NY 10509
WEB: www.matco-norca.com

• Phone: 866-532-8306 • Fax: 866-532-8307
• Phone: 800-935-5456 • Fax: 713-680-2999
• Phone: 844-412-5068 • Fax: 800-640-2252
• Phone: 800-433-7526 • Fax: 800-533-5134
• Phone: 800-431-2082 • Fax: 845-278-9056
EMAIL: mail@matco-norca.com