

120W / 120WC Ductile Iron Swing Check Valve • Spec Sheet

Sizes 3" - 12"

FEATURES & BENEFITS

- ISO 9002
- Ductile Iron
- 300 PSI Non-Shock CWP
- Bolted Cover
- Bronze Seat & Resilient Disc
- Outside Lever & Weight or Optional Spring Kit Available
- Fusion Bonded Epoxy Coating Inside & Outside – AWWA C550
- MSS SP 71 Compliant
- AWWA C508 Approved
- NSF/ANSI 61
- Flanged Ends Conform with ANSI B16.1
- For Horizontal & Vertical Installation

Applications: Wastewater & Sewage, Irrigation, Potable Water, Turf, Golf Course, Water Distribution



*120W is Less Outside Lever & Weight

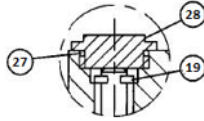
MATERIAL SPECIFICATIONS

No.	Part	Material	ASTM Designation
1	Body	Ductile Iron	A 126 Class B
2	Disc	Ductile Iron	A 536 Gr. 64-45-12
3	Cover	Ductile Iron	A 536 Gr. 64-45-12
4	Weight	Cast Iron	A 126 Class B
5	Arm	Ductile Iron	A 536 Gr. 64-45-12
6	Seat Holder 3"-6"	Cast Iron	-----
6	Seat Holder 8"-12"	Ductile Iron	-----
7	Body Seat Ring	Stainless Steel	A 276 Type 316
8	Disc Seat Ring	Rubber (BUNA-N)	D 2000 BK 707
9	Seat Nut	Brass	B 21
10	Bushing	Bronze	B 62 Alloy C83600
11	Bolt & Nut	Zinc Coated Steel	A 307 Grade B
12	Weight Arm	Ductile Iron	A 536 Gr. 64-45-12
13	Hinge Pin	Stainless Steel	A 276 Type 316
14	Key	Stainless Steel	A 276 Type 304
16	Pin	Stainless Steel	A 276 Type 304
17	Disc Seat Bolt	Stainless Steel	Type SS 316
18	Weight Bolt & Nut	Stainless Steel	Type SS 316
19	Snap Ring	Stainless Steel	-----
20	Disc Stud	Brass	B 21
21	Disc Nut	Brass	B 21
22	Spacer	Brass	B 21
23	Washer	Brass	B 21
24	Cover Bolt	Stainless Steel	Type SS 316
25	Gasket	Rubber (BUNA-N)	D 2000 BK 707
26	O-Ring B	Rubber (BUNA-N)	D 2000 BK 707
27	O-Ring C	Rubber (BUNA-N)	D 2000 BK 707
28	Retaining Plug	Brass	B 21

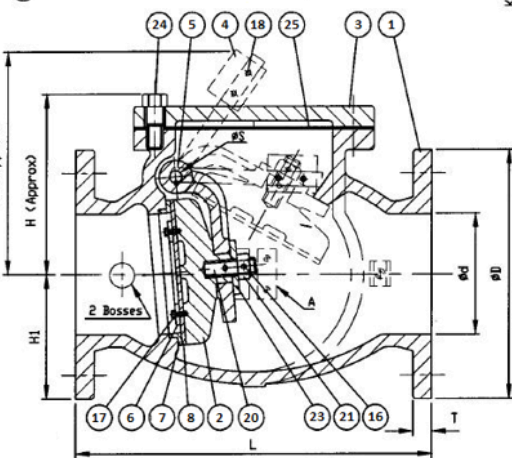
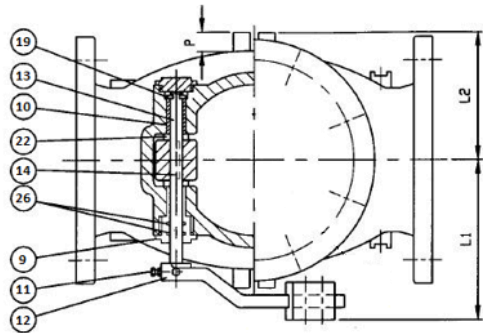
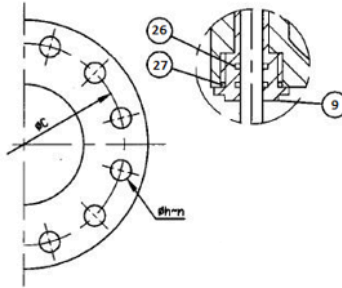
[Click Here For Enlarged Drawing](#)

Valve Size	Plug Size
3"	1/2
4"	1/2
6"	3/4
8"	3/4
10"	1
12"	1

Detail for Retaining Plug



Detail for Seat Nut

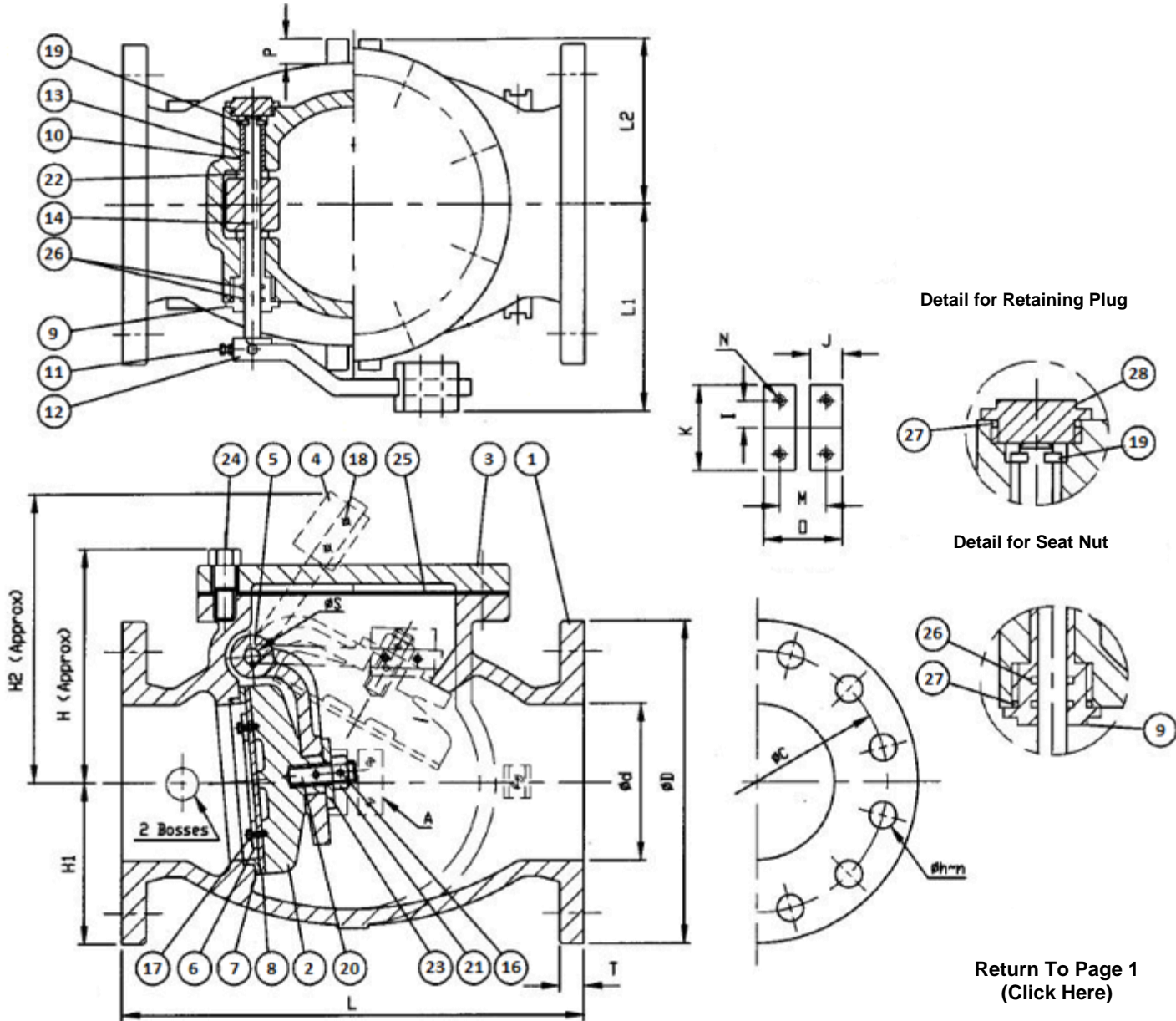


DIMENSIONS

Size Ød	L	ØD	ØC	Øh	n	T	ØS	H	H1	H2	I	J	K	M	N	O	P	L1	L2
3"	9-1/2	7-1/2	6	3/4	4	3/4	1/2	6-1/16	3-3/4	9-1/4	3/4	1-1/2	3	2-1/2	1/2 X 13TPI(UNC)	4	3/4	6-5/16	4-1/16
4"	11-1/2	9	7-1/2	3/4	8	15/16	1/2	6-7/8	4-1/2	11-13/16	3/4	1-1/2	3	2-1/2	1/2 X 13TPI(UNC)	4	3/4	7-1/8	4-15/16
6"	14	11	9-1/2	7/8	8	1	3/4	8-1/2	5-1/2	14-3/8	3/4	1-1/2	3	2-1/2	1/2 X 13TPI(UNC)	4	3/4	8-11/16	5-15/16
8"	19-1/2	13-1/2	11-3/4	7/8	8	1-1/8	7/8	9-15/16	6-3/4	17-3/8	7/8	1-3/4	3-1/2	3-1/4	5/8 X 11TPI(UNC)	5	1-1/4	10-7/8	8-1/16
10"	24-1/2	16	14-1/4	1	12	1-3/16	1	11-3/16	8	21-1/2	7/8	1-3/4	3-1/2	3-1/4	5/8 X 11TPI(UNC)	5	1-1/4	12-1/4	9-3/16
12"	27-1/2	19	17	1	12	1-1/4	1-1/8	13-9/16	9-1/2	24-1/16	7/8	1-3/4	3-1/2	3-1/4	5/8 X 11TPI(UNC)	5	1-1/4	14-3/8	10-13/16

120W / 120WC Ductile Iron Swing Check Valve • Spec Sheet

Sizes 3" - 12"



Return To Page 1
(Click Here)



Global sourcing. National compliance. Local service.

CALIFORNIA 5595 Fresca Dr., La Palma CA 90623
TEXAS 1150 Silber Rd., Houston TX 77055
ILLINOIS 278 Windy Point Dr., Glendale Heights, IL 60139
GEORGIA 113 Industrial Blvd., Americus, Georgia 31709
NEW YORK PO Box 27, Rt.22, Brewster NY 10509
 WEB: www.matco-norca.com

• Phone: 866-532-8306 • Fax: 866-532-8307
 • Phone: 800-935-5456 • Fax: 713-680-2999
 • Phone: 844-412-5068 • Fax: 800-640-2252
 • Phone: 800-433-7526 • Fax: 800-533-5134
 • Phone: 800-431-2082 • Fax: 845-278-9056
 EMAIL: mail@matco-norca.com

120WC Ductile Iron Swing Check Valve • Spec Sheet

Sizes 14" & 16"

FEATURES & BENEFITS

- ISO 9002
- Ductile Iron
- 150 PSI Non-Shock CWP
- Bolted Cover
- Bronze Seat & Resilient Disc
- Outside Lever & Weight or Optional Spring Kit Available
- Fusion Bonded Epoxy Coating Inside & Outside – AWWA C550
- MSS SP 71 Compliant
- AWWA C508 Approved
- NSF/ANSI 61
- Flanged Ends Conform with ANSI B16.1
- For Horizontal & Vertical Installation

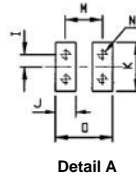
Applications: Wastewater & Sewage, Irrigation, Potable Water, Turf, Golf Course, Water Distribution



MATERIAL SPECIFICATIONS

No.	Part	Material	ASTM Designation
1	Body	Cast Iron	A 126 Class B
2	Disc	Ductile Iron	A 536 Gr. 64-45-12
3	Cover	Cast Iron	A 126 Class B
4	End Plate (A)	Bronze	B 62 Alloy C83600
5	Weight	Cast Iron	A 126 Class B
6	Seat Holder	Ductile Iron	A 536 Gr. 64-45-12
7	End Plate (B)	Ductile Iron	A 536 Gr. 64-45-12
8	Body Seat Ring	Bronze	B 62 Alloy C83600
9	Disc Seat Ring	Rubber (BUNA-N)	D 2000 BK 707
10	Bushing (A)	Bronze	A 126 Class B
11	Bushing (B)	Bronze	A 126 Class B
12	Weight Arm	Ductile Iron	A 536 Gr. 64-45-12
13	Hinge Pin	Stainless Steel	A 276 Type 316
14	Key	Stainless Steel	A 276 Type 304
16	Disc Seat Bolt	Stainless Steel	Type SS 316
17	Cover Bolt & Nut	Stainless Steel	Type SS 316
18	Weight Bolt	Stainless Steel	Type SS 316
19	End Plate	Zinc Coated Steel	A 307 Grade B
20	Snap Ring	Stainless Steel	-----
21	Cover Gasket	Rubber (BUNA-N)	D 2000 BK 707
22	O-Ring B	Rubber (BUNA-N)	D 2000 BK 707
23	O-Ring C	Rubber (BUNA-N)	D 2000 BK 707

[Click Here For Enlarged Drawing](#)

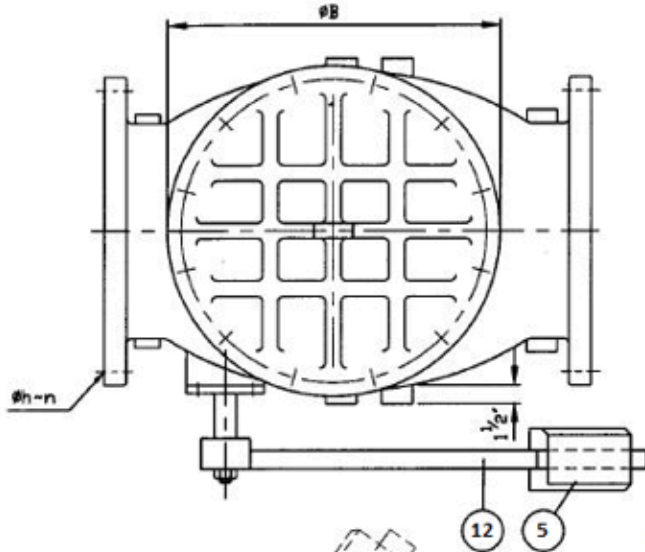


DIMENSIONS

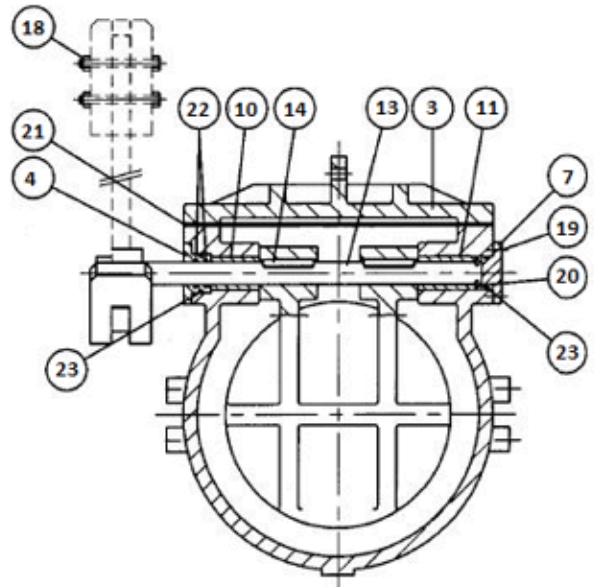
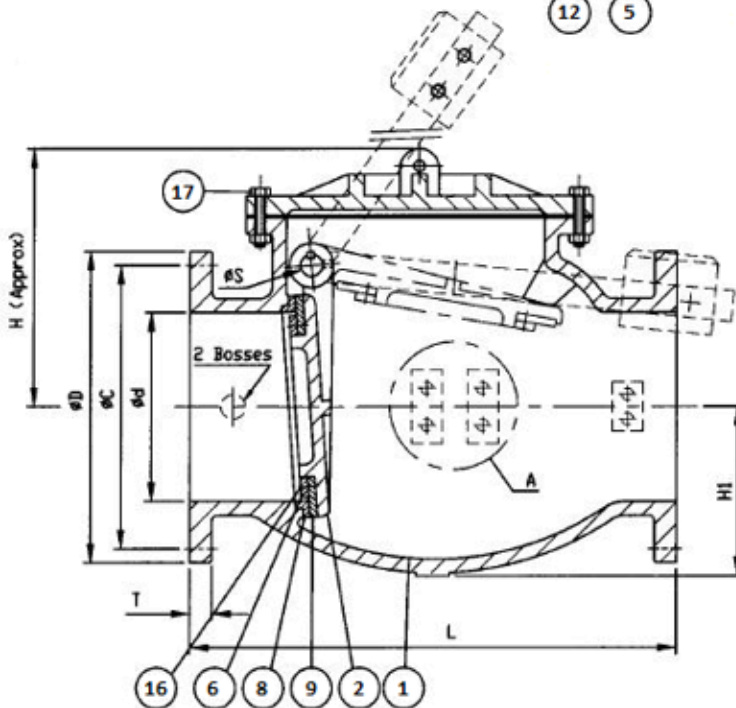
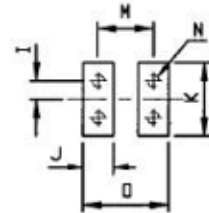
Size Ød	L	ØD	ØC	Øh	n	T	ØS	ØB	H	H1	I	J	K	M	N	O
14"	31	21	18-3/4	1-1/8	12	1-3/8	1-3/4	22-3/16	19-5/16	12-1/6	1	2-1/8	4-1/2	4	3/4 X 10TPI(UNC)	6
16"	36	23-1/2	21-1/4	1-1/8	16	1-7/16	2	24-1/8	21-1/2	13-1/4	1	2-1/8	4-1/2	4	3/4 X 10TPI(UNC)	6

120WC Ductile Iron Swing Check Valve • Spec Sheet

Sizes 14" & 16"



Detail A



Return To Page 3
(Click Here)

 **MATCO-NORCA**
Global sourcing. National compliance. Local service.

CALIFORNIA 5595 Fresca Dr., La Palma CA 90623
TEXAS 1150 Silber Rd., Houston TX 77055
ILLINOIS 278 Windy Point Dr., Glendale Heights, IL 60139
GEORGIA 113 Industrial Blvd., Americus, Georgia 31709
NEW YORK PO Box 27, Rt.22, Brewster NY 10509
 WEB: www.matco-norca.com

• Phone: 866-532-8306 • Fax: 866-532-8307
 • Phone: 800-935-5456 • Fax: 713-680-2999
 • Phone: 844-412-5068 • Fax: 800-640-2252
 • Phone: 800-433-7526 • Fax: 800-533-5134
 • Phone: 800-431-2082 • Fax: 845-278-9056
 EMAIL: mail@matco-norca.com