

115F Cast Iron Flanged Check Valve – IBBM

Specification Sheet

FEATURES & BENEFITS

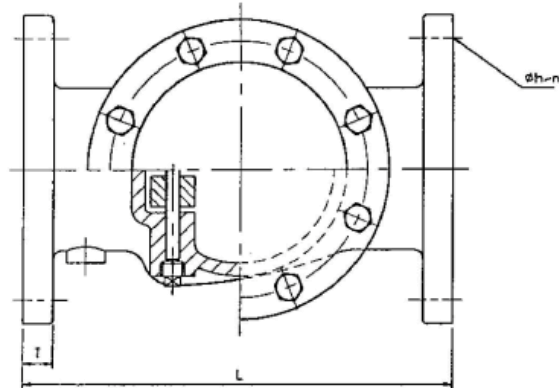
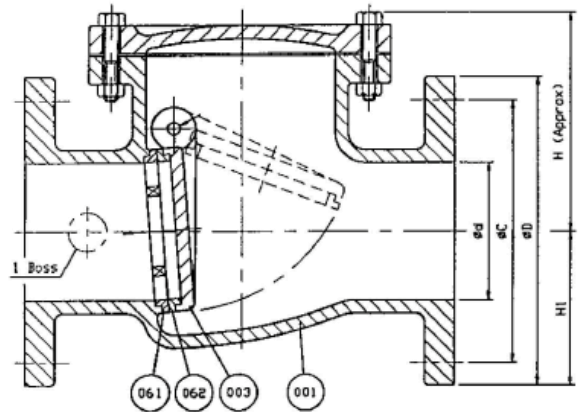
- Check Valve-Flanged Ends
- 200 WOG-125 WSP
- C.I. Body, Bronze Mounted (IBBM) Seat
- One Boss
- Bituminous Coating
- Bolted Bonnet
- Conforms with MSS-SP-71
- Flanged Ends Conform with ANSI B16.1
- Sizes 2" - 12"

Applications: Low Pressure Steam, Air, Water & Non-Corrosive Gas or Oil



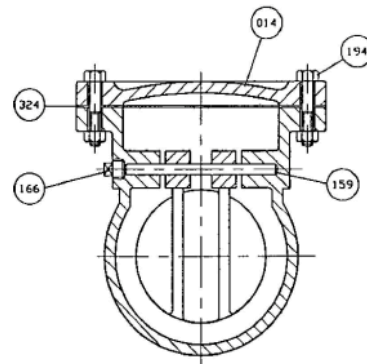
MATERIAL SPECIFICATIONS

No.	Part	Material	ASTM Designation
001	Body	Cast Iron	A 126 Class B
003	Disc	Ductile Iron	A 536 Gr 65-45-12
014	Cover	Cast Iron	A 126 Class B
061	Body Seat Ring	Stainless Steel	A 276 Type 304
062	Disc Seat Ring	Stainless Steel	A 276 Type 304
159	Hinge Pin	Stainless Steel	A 276 Type 304
166	Plug	Malleable Iron	A 47
194	Cover Bolt & Nut	Steel	A307 Grade B
324	Cover Gasket	Non Asbestos Sheet	Non-Asbestos



DIMENSIONS

Part #	Size (d)	L	ØD	ØC	Øh	n	T	H	h1	Approx. Wt.LBS
115F08	2"	8.00	6.00	4.75	0.75	4	0.63	4.19	3.00	20
115F09	2-1/2"	8.50	7.00	5.50	0.75	4	0.69	4.94	3.50	31
115F10	3"	9.50	7.50	6.00	0.75	4	0.75	5.94	3.75	42
115F11	4"	11.50	9.00	7.50	0.75	8	0.94	6.69	4.50	69
115F12	5"	13.00	10.00	8.50	0.88	8	0.94	7.31	5.00	80
115F13	6"	14.00	11.00	9.50	0.88	8	1.00	7.69	5.50	115
115F14	8"	19.50	13.50	11.75	0.88	8	1.13	9.25	6.75	231
115F15	10"	24.50	16.00	14.25	1.00	12	1.19	10.69	8.00	357
115F16	12"	27.50	19.00	17.00	1.00	12	1.25	12.63	9.50	498



Body Screwed In

