

10RW Cast Iron Gate Valve • Spec Sheet



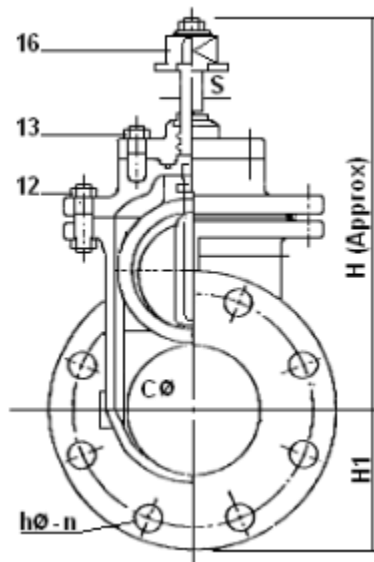
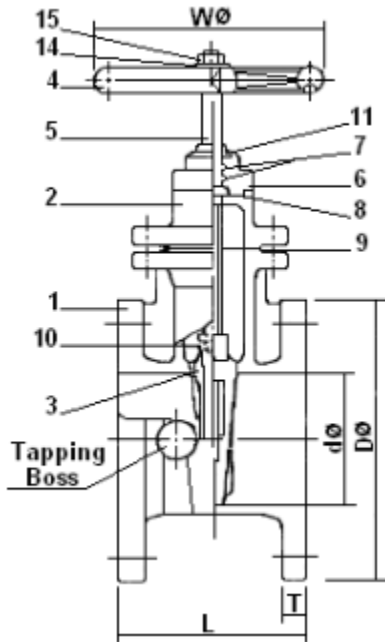
FEATURES & BENEFITS

- Gate Valve - Flanged Ends
- 200 CWP 2"-8", 150 CWP 10"-12"
- Max. Temp. 140 Deg. F.
- 3 Bosses With 1 Tapped & Plugged
- Non- Rising Stem
- Full Port Flow
- Epoxy Coating
- Resilient Wedge
- ISO-9002
- USC Approved
- Tested to AWWA C Sec. 5
- Flanged Ends Conform With ANSI B16.1
- ASTM 126 Class B
- Sizes 2" – 12"

APPLICATIONS: Irrigation, Turf, Golf Course, Water Distribution Service & Feed Lines, Sewage Disposal

DIMENSIONS & WEIGHTS

Size (d)	L	DØ	CØ	hØ	n	T	WØ	H	H1	S	Approx. WT. LBS
2"	7.00	6.00	4.75	0.75	4	0.63	7.06	8.50	3.00	0.63	25
2.5"	7.50	7.00	5.50	0.75	4	0.69	7.06	9.38	3.50	0.63	30
3"	8.00	7.50	6.00	0.75	4	0.75	7.88	10.25	3.75	0.69	42
4"	9.00	9.00	7.50	0.75	8	0.94	8.81	12.19	4.50	0.81	64
5"	10.00	10.00	8.50	0.88	8	0.94	9.88	14.37	5.00	0.88	96
6"	10.50	11.00	9.50	0.88	8	1.00	11.00	16.00	5.50	0.94	108
8"	11.50	13.50	11.75	0.88	8	1.13	11.00	19.93	6.75	1.00	191
10"	13.00	16.00	14.25	1.00	12	1.19	12.44	23.80	8.00	1.25	286
12"	14.00	19.00	17.00	1.00	12	1.25	14.00	26.75	9.50	1.25	392



MATERIAL SPECIFICATIONS

No.	Part	Material	ASTM Designation
1	Body	Cast Iron	A 126 Class B
2	Bonnet	Cast Iron	A 126 Class B
3	Disc	Cast Iron & BUNA-N	A 126 Class B
4	Handwheel	Cast Iron	A 126 Class B
5	Stem	Stainless Steel	A 276 Type 304
6	Stuffing Box	Cast Iron	A 126 Class B
7	O-Ring A	Rubber	D 2000 AA 6014
8	O-Ring B	Rubber	D 2000 AA 6014
9	Bonnet Gasket	Rubber	D 2000 AA 6014
10	Stem Nut	Stainless Steel	A 276 Type 304
11	Wiper Ring	Rubber	D 2000 AA 6014
12	Bonnet Bolt & Nut	Steel	A 307 Grade B
13	Stud & Nut	Steel	A 307 Grade B
14	Handwheel Washer	Steel	A 307 Grade B
15	Top Nut	Steel	A 307 Grade B
16	Operating Nut	Cast Iron	A 126 Class B

MATCO-NORCA
Global sourcing. National compliance. Local service.

CALIFORNIA 5595 Fresca Dr., La Palma CA 90623
TEXAS 1150 Silber Rd., Houston TX 77055
ILLINOIS 278 Windy Point Dr., Glendale Heights, IL 60139
GEORGIA 113 Industrial Blvd., Americus, Georgia 31709
NEW YORK PO Box 27, Rt.22, Brewster NY 10509
 WEB: www.matco-norca.com

• Phone: 866-532-8306 • Fax: 866-532-8307
 • Phone: 800-935-5456 • Fax: 713-680-2999
 • Phone: 844-412-5068 • Fax: 800-640-2252
 • Phone: 800-433-7526 • Fax: 800-533-5134
 • Phone: 800-431-2082 • Fax: 845-278-9056
 EMAIL: mail@matco-norca.com