

# 100S CAST IRON IBBM GATE VALVE

- ❖ Iron Body, Bronze Mounted (IBBM)    ❖ Bolted Bonnet    ❖ Non Rising Stem
  - ❖ Threaded Ends    ❖ Solid Wedge    ❖ Class 125
  - ❖ Epoxy Coating - Internal & External    ❖ Non-Asbestos Packing & Gaskets
- 200 PSI NON-SHOCK CWP    125 PSI SATURATED STEAM**

**Applications: Low Pressure Steam, Water, Air, and Non-Corrosive Gas or Oil**

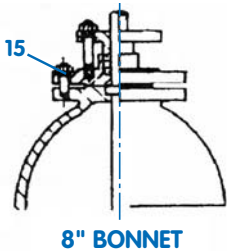
**Product Spec Sheet**



**Conforms to MSS-SP70  
FED Spec W/W-V58, Class 1  
Threaded Ends Per ANSI B1.20.1**

### DIMENSIONS & WEIGHTS

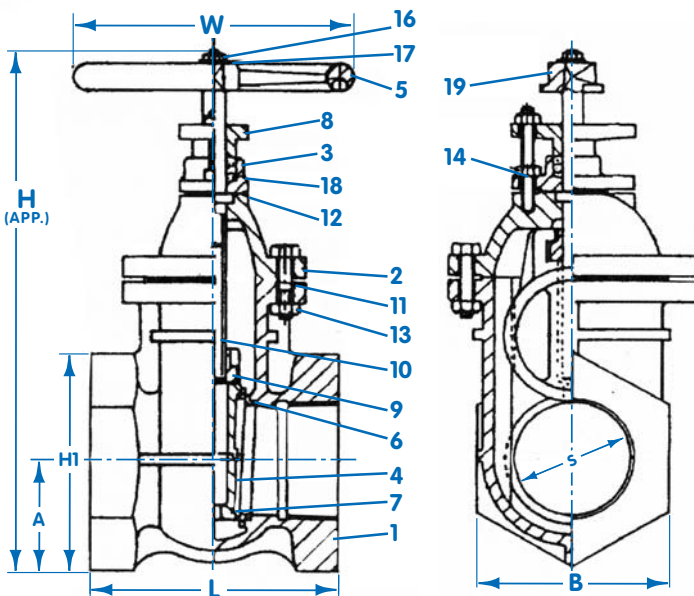
Size dØ	L	A	B	WØ	H	H1	SØ	APPROX. WT. LBS
2	5.00	3.63	3.13	7.06	9.06	1.81	.63	22
2-1/2"	5.50	4.31	3.75	7.06	10.19	2.16	.63	24
3	5.94	5.00	4.31	7.88	11.38	2.50	.69	33
4	7.50	7.06	6.06	8.81	13.88	3.53	.81	57
5	8.25	7.94	6.88	9.88	16.06	3.97	.88	77
6	9.06	9.44	8.19	11.00	18.50	4.72	.94	110
8	10.00	11.81	10.25	11.00	22.63	5.91	1.00	198



**Enlarged Drawing On Page 2  
(Click Here)**

### MATERIAL SPECIFICATIONS

NO.	Part	Material	ASTM Designation
1	Body	Cast Iron	A126 Class B
2	Bonnet	Cast Iron	A126 Class B
3	Packing Box	Cast Iron	A126 Class B
4	Disc	Cast Iron	A126 Class B
5	Hand Wheel	Cast Iron	A126 Class B
6	Body Seat Ring	Bronze	B 62
7	Disc Seat Ring	Bronze	B 62
8	Gland	Cast Iron	A-126 Class B
9	Stem Nut	Bronze	B 62
10	Stem	Brass	B 124
11	Bonnet Gasket	Non Asbestos Sheet	F104P 1141A
12	Packing Box Gasket	Non Asbestos Sheet	F104P 1141A
13	Bonnet Bolt & Nut	Steel	A307 Grade B
14	Gland Stud & Nut	Steel	A307 Grade B
15	Packing Box Stud & Nut	Steel	A307 Grade B
16	Top Nut	Steel	A307 Grade B
17	Washer	Steel	A 284
18	Packing	Carbonized Fiber	D 4102
19	Operating Nut	Cast Iron	A126 Class B



**Brewster, NY**  
TEL: 800-431-2082  
FAX: 800-640-2252

**Houston, TX**  
TEL: 800-935-5456  
FAX: 800-683-4247

**La Palma, CA**  
TEL: 866-532-8306  
FAX: 866-532-8307

**Americus, GA**  
TEL: 800-433-7526  
FAX: 800-533-5134

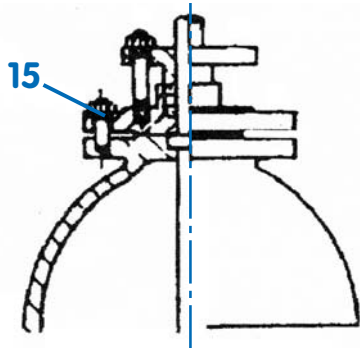
e-mail: [mail@matco-norca.com](mailto:mail@matco-norca.com)

[www.matco-norca.com](http://www.matco-norca.com)

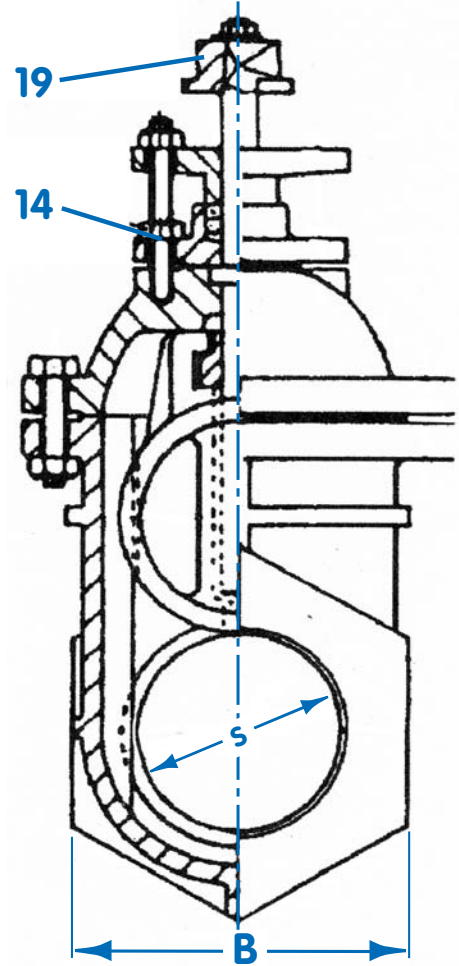
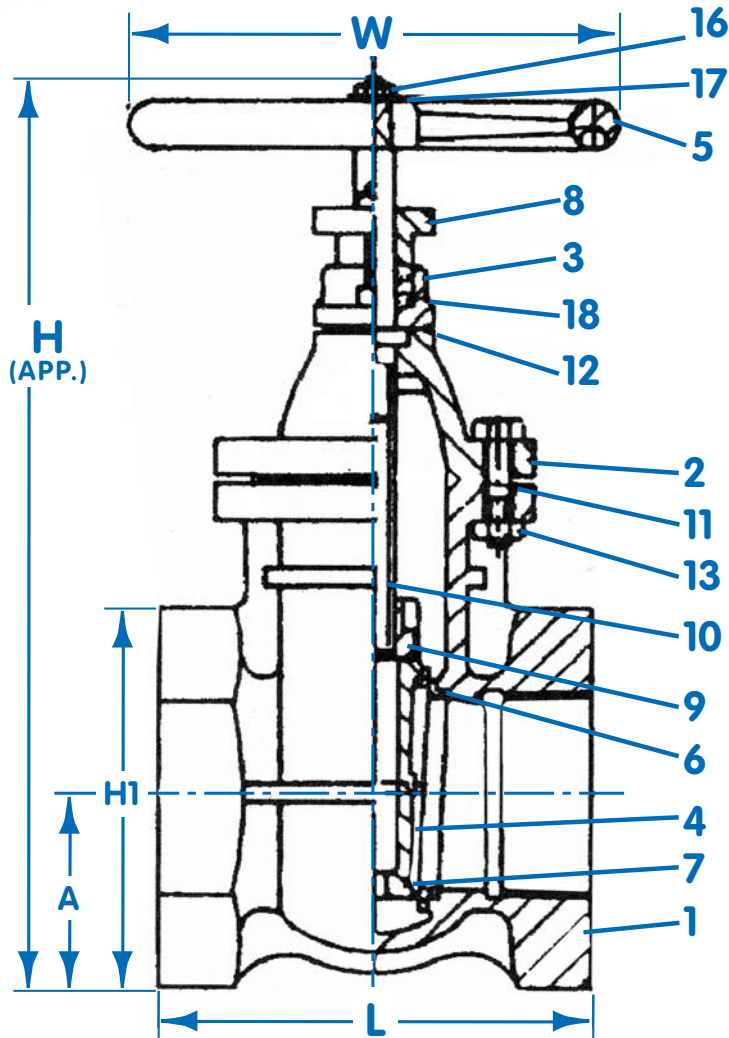
# 100S CAST IRON IBBM GATE VALVE



Product Spec Sheet



8" BONNET



[Return To Page 1](#)  
(Click Here)



**Brewster, NY**  
TEL: 800-431-2082  
FAX: 800-640-2252

**Houston, TX**  
TEL: 800-935-5456  
FAX: 800-683-4247

**La Palma, CA**  
TEL: 866-532-8306  
FAX: 866-532-8307

**Americus, GA**  
TEL: 800-433-7526  
FAX: 800-533-5134

e-mail: [mail@matco-norca.com](mailto:mail@matco-norca.com)

[www.matco-norca.com](http://www.matco-norca.com)