

100F Flanged Cast Iron Gate Valve • Spec Sheet

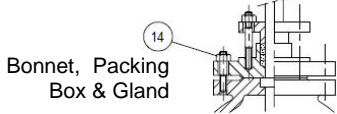
Sizes 2" - 12"

FEATURES & BENEFITS

- ISO-9002
- Gate Valve-Flanged Ends
- 200 WOG- 125 WSP
- Class 125
- Iron Body, Bronze Mounted (IBBM)
- 3 Bosses for Tapping
- Bolted Bonnet
- Non Rising Bronze Stem
- Solid Wedge
- Conforms to MSS-SP70
- Flanged Ends Conform w/ ANSI B16.1
- Bituminous Coating
- Sizes 2" - 24"

DIMENSIONS

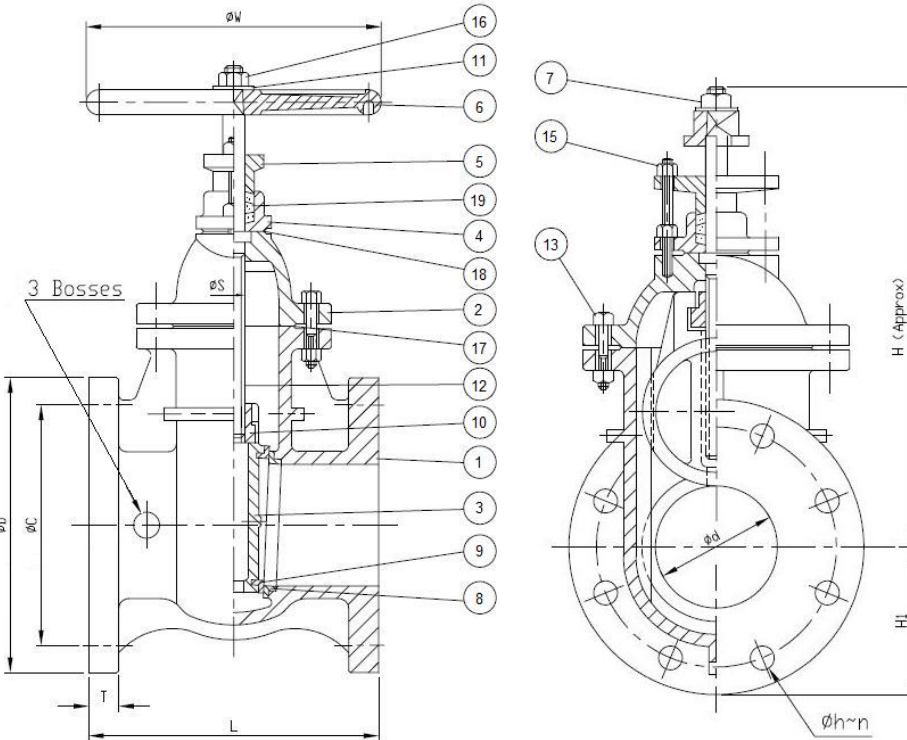
Part #	Ød Size	L	ØD	ØC	Øh	n	T	ØS	H	H1	ØW	Approx. Weight
100F08	2"	7	6	4-3/4	3/4	4	5/8	5/8	10-1/8	3	7-1/16	26.4
100F09	2-1/2"	7-1/2	7	5-1/2	3/4	4	11/16	5/8	11-1/2	3-1/2	7-1/16	34.1
100F10	3"	8	7-1/2	6	3/4	4	3/4	11/16	12-3/8	3-3/4	7-7/8	44.0
100F11	4"	9	9	7-1/2	3/4	8	15/16	16/16	14-1/2	4-1/2	8-13/16	77.0
100F12	5"	10	10	8-1/2	7/8	8	15/16	7/8	16-3/4	5	9-7/8	96.8
100F13	6"	10-1/2	11	9-1/2	7/8	8	1	15/16	18-5/8	5-1/2	9-7/8	126.5
100F14	8"	11-1/2	13-1/2	11-3/4	7/8	8	1-1/8	1	22	6-3/4	11	220.0
100F15	10"	13	16	14-1/4	1	12	1-3/16	1-1/4	26-1/2	8	12-7/16	314.6
100F16	12"	14	19	17	1	12	1-1/4	1-1/4	30-3/8	9-1/2	14	481.8



Bonnet, Packing Box & Gland

MATERIAL SPECIFICATIONS

No.	Part	Material
1	Body	Cast Iron A 126 Class B
2	Bonnet	Cast Iron A 126 Class B
3	Disc	Cast Iron A 126 Class B
4	Packing Box	Cast Iron A 126 Class B
5	Gland	Cast Iron A 126 Class B
6	Hand Wheel	Cast Iron A 126 Class B
7	Operating Nut	Cast Iron A 126 Class B
8	Body Seat Ring	Bronze B 62
9	Disc Seat Ring	Bronze B 62
10	Stem Nut	Bronze B 62
11	Hand Wheel Washer	Zinc Coated Steel A 307 Grade B
12	Stem	Bronze B 21
13	Bonnet Bolt & Nut	Zinc Coated Steel A 307 Grade B
14	Packing Box Stud & Nut	Zinc Coated Steel A 307 Grade B
15	Gland Stud & Nut	Zinc Coated Steel A 307 Grade B
16	Hand Wheel Nut	Zinc Coated Steel A 307 Grade B
17	Bonnet Gasket	Non Asbestos 2214
18	Packing Box Gasket	Non Asbestos Sheet
19	Packing	Non Asbestos Sheet



MATCO-NORCA
Global sourcing. National compliance. Local service.

CALIFORNIA 5593 Fresca Dr., La Palma CA 90623 • Toll Free: 866-532-8306 • Fax: 866-532-8307
TEXAS 1150 Silber Rd., Houston TX 77055 • Toll Free: 800-935-5456 • Fax: 713-680-2999
NEW YORK PO Box 27, Rt. 22, Brewster NY 10509 • Toll Free: 800-431-2082 • Fax: 845-278-9056
 WEB: www.matco-norca.com EMAIL: mail@matco-norca.com

100F Flanged Cast Iron Gate Valve • Spec Sheet

Sizes 14" - 18"



FEATURES & BENEFITS

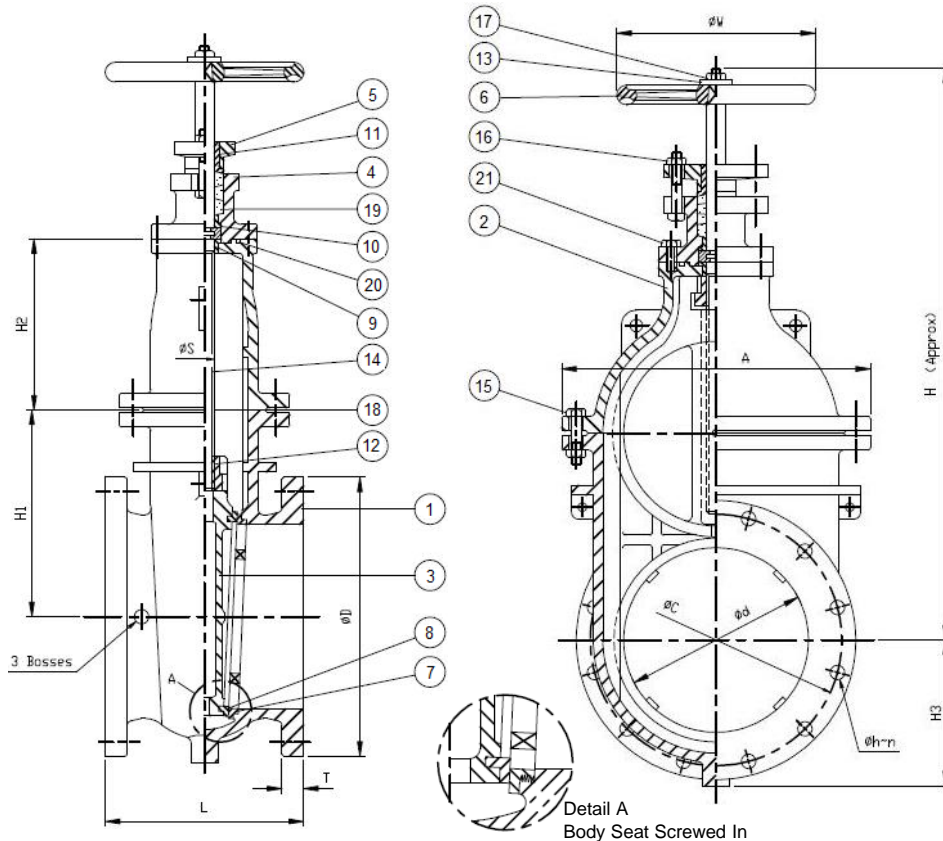
- ISO-9002
- Gate Valve-Flanged Ends
- 150 WOG- 125 WSP
- Class 125
- Iron Body, Bronze Mounted (IBBM)
- 3 Bossings for Tapping
- Bolted Bonnet
- Non Rising Bronze Stem
- Solid Wedge
- Conforms to MSS-SP70
- Flanged Ends Conform w/ ANSI B16.1
- Bituminous Coating
- Sizes 2" - 24"

DIMENSIONS

Part #	Ød Size	L	ØD	ØC	Øh	n	T	ØS	H1	H2	H3	ØW	Approx. Weight
100F17	14"	15	21	18-3/4	1-1/8	12	1-3/8	1-1/2	50-5/16	64-5/8	10-9/16	17-3/4	822.8
100F18	16"	16	23-1/2	21-1/4	1-1/8	16	1-7/16	2	59-9/16	75-7/8	11-13/16	27-9/16	1183.6
100F19	18"	17	25	22-3/4	1-1/4	16	1-9/16	2	64-11/16	83-1/16	13-1/16	27-9/16	1438.8

MATERIAL SPECIFICATIONS

No.	Part	Material
1	Body	Cast Iron A 126 Class B
2	Bonnet	Cast Iron A 126 Class B
3	Disc	Cast Iron A 126 Class B
4	Packing Box	Cast Iron A 126 Class B
5	Gland	Cast Iron A 126 Class B
6	Hand Wheel	Cast Iron A 126 Class B
7	Body Seat Ring	Bronze B 62
8	Disc Seat Ring	Bronze B 62
9	Bonnet Bushing	Bronze B 62
10	Packing Box Bushing	Bronze B 62
11	Gland Bushing	Bronze B 62
12	Stem Nut	Bronze B 62
13	Hand Wheel Washer	Zinc Coated Steel A 284
14	Stem	Bronze B 21
15	Bonnet Bolt & Nut	Zinc Coated Steel A 307 Grade B
16	Gland Bolt & Nut	Zinc Coated Steel A 307 Grade B
17	Hand Wheel Nut	Zinc Coated Steel A 307 Grade B
18	Bonnet Gasket	Non Asbestos Sheet
19	Packing	Non Asbestos 2214
20	O Ring	Rubber (EPDM) D 2000 CA 707
21	Packing Box Box	Zinc Coated Steel A 307 Grade B



MATCO-NORCA
Global sourcing. National compliance. Local service.

CALIFORNIA 5593 Fresca Dr., La Palma CA 90623 • Toll Free: 866-532-8306 • Fax: 866-532-8307
TEXAS 1150 Silber Rd., Houston TX 77055 • Toll Free: 800-935-5456 • Fax: 713-680-2999
NEW YORK PO Box 27, Rt. 22, Brewster NY 10509 • Toll Free: 800-431-2082 • Fax: 845-278-9056
 WEB: www.matco-norca.com EMAIL: mail@matco-norca.com