



Cast Iron Drainage & Specialty Products

 **MATCO-NORCA**
Global sourcing. National compliance. Local service.

C A L I F O R N I A • T E X A S • N E W Y O R K

Cast Iron Drainage & Specialty Products

Shower Drain



Heavy Duty Epoxy Coated Cast Iron Body, Epoxy Coated Bolt Down Ring, and Adjustable Cast Brass Strainer Assembly Chrome Plated or Polished Brass.

Model	Size
CISDCP2NH	2" No Hub with Chrome Plated Strainer
CISDPB2NH	2" No Hub with Polished Brass Strainer
CISDCP2IP	2" IPS with Chrome Plated Strainer
CISDPB2IP	2" IPS with Polished Brass Strainer

Grid Only For Shower Drain

CISDCPSTR	Chrome Plated
CISDPBSTR	Polished Brass

Adjustable Floor Drain



Epoxy Coated Cast Iron Body, Epoxy Coated Clamping Ring, Adjustable Chrome Plated Brass Strainer Body.

Model	Size
CIFD15NH2	2" No Hub
CIFD15NH3	3" No Hub
CIFD15NH4	4" No Hub

PVC Shower Drain



Can Be Used With 2" or 3" Plastic Pipe.
Adjustable Strainer, Stainless Steel Grid.

Model
SDPVC2

Roof Drain



10" Diameter Roof Drain, Epoxy Coated Cast Iron Body, Bolt Down Gravel Guard, and Epoxy Coated Metal Dome.

Model	Size
CIRD1NH2	2" No Hub
CIRD1NH3	3" No Hub
CIRD1NH4	4" No Hub

Cast Iron Drainage & Specialty Products

Heavy Duty Floor Drain



Epoxy Coated Cast Iron Drain with 6-1/2" Round Top.
Epoxy Coated Cast Iron Grate Secured with 2 Stainless Steel Screws.

Model	Size
CIFD6NH2	2" No Hub
CIFD6NH3	3" No Hub
CIFD6NH4	4" No Hub

Floor Sink - Porcelain



12" Square x 6" Deep Cast Iron Floor Sink with White Porcelain Coated Interior, Porcelain Cast Iron Grate with White Porcelain Coating Plus Aluminum Dome Strainer.

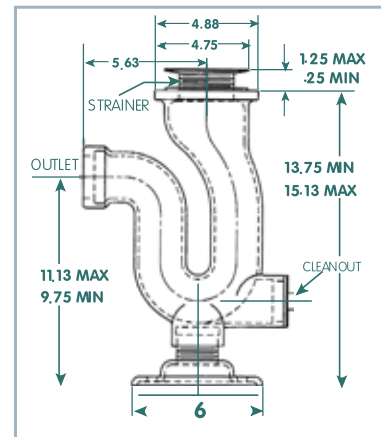
Model	Size
CIFS55NH2	2" No Hub
CIFS55NH3	3" No Hub
CIFS55NH4	4" No Hub

Trap Standard



Cast Iron P-Trap. White Epoxy Coating with 2-1/4" Chrome Plated Brass Strainer and Brass Cleanout Plug.

Model	Size
TRAP-110	2" IPS Outlet
TRAP-120	3" IPS Outlet



Cast Iron Drainage & Specialty Products

Slop Sink



Cast Iron, Round, with Strainer.

Model	Size
CISS12	2" IP Outlet x 12" Round

Backwater Valve



Cast Iron, No Hub.

Model	Size
CIBWV08	2"
CIBWV10	3"
CIBWV11	4"

Closet Bend



Cast Iron, No Hub.

Model	Size
CICB1116	4" x 16"
CICB11615	4" x 6" x 15"

Closet Flange



Cast Iron, No Caulk, with Stainless Steel Nuts & Bolts.

Model	Size
CFCI-320	3" x 2"
CFCI-420	4" x 2"
CFCI-430	4" x 3"
CFCI-440	4" x 4"

*Stainless Steel Bolts Can Be Sold Separately.

Offset Closet Flange



Cast Iron Quick Offset Closet Flange,
With Stainless Steel Nuts & Bolts.

Model	Size
CFCI-4200	4" x 2"

*Stainless Steel Bolts Can Be Sold Separately.

Cast Iron Drainage & Specialty Products

Iron Body Cleanout



Iron Body Cleanout with Brass Screw Plug - Raised Square Head.

Model	Size
IBC-43	4" x 3"
IBC-435	4" x 3-1/2"
IBC-65	6" x 5"

Recessed Brass Plug	Size
IBC-43CS	4" x 3"

Circulator Flange Kit



Cast Iron Circulator Flange Kits with Bolts & Nuts. Complete with 2 Flanges, 4 Bolts & 4 Nuts.

Model	Size
CIF04	3/4"
CIF05	1"
CIF06	1-1/4"

Boiler Tube Plugs



Cast Iron Boiler Tube Plugs.

Model	Size
BTP-150	1-1/2"
BTP-200	2"
BTP-250	2-1/2"
BTP-300	3"
BTP-400	4"

Oil Fill Box



Galvanized Iron Fill Box with Screw Plug.

Model	Size
FB-201	2"

Cast Iron Drainage & Specialty Products



For more information about our Extensive Product Lines visit our website at www.matco-norca.com

 **MATCO-NORCA**
Global sourcing. National compliance. Local service.

CALIFORNIA 5593 Fresca Dr., La Palma CA 90623 • Toll Free: 866-532-8306 • Fax: 866-532-8307
TEXAS 1150 Silber Rd., Houston TX 77055 • Toll Free: 800-935-5456 • Fax: 713-680-2999
NEW YORK PO Box 27, Rt. 22, Brewster NY 10509 • Toll Free: 800-431-2082 • Fax: 845-278-9056
WEB: www.matco-norca.com EMAIL: mail@matco-norca.com