

□ **PO-900CJP**

□ **PO-900BNJP**



## **Two Handle Roman Tub Trim Kit**



### **FEATURES & BENEFITS**

- Metal Lever Handles
- Ceramic Cartridges
- Min Flow Rate 4.0 gpm (15.1 L/min) at 20 psi (ASME A112.18.1)

PO-900CJP  
Trim Kit For Roman Tub  
Chrome Finish

PO-900BNJP  
Trim Kit For Roman Tub  
Brushed Nickel Finish

#### **APPROVALS:**

**Meets or Exceeds The Following:**

- \* ANSI/ASME A112.18.1
- \* IAPMO/cUPC



**CALIFORNIA:**  
**TEXAS:**  
**NEW YORK:**

**TEL: 866-532-8306**  
**TEL: 800-935-5456**  
**TEL: 800-431-2082**

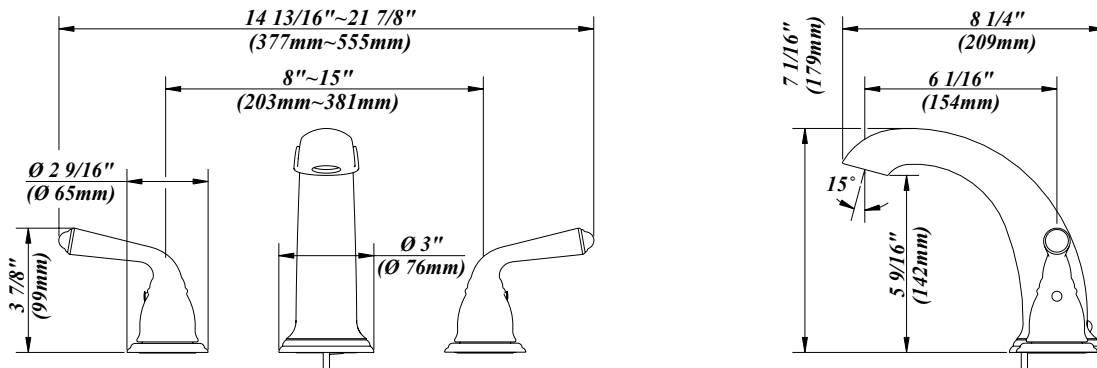
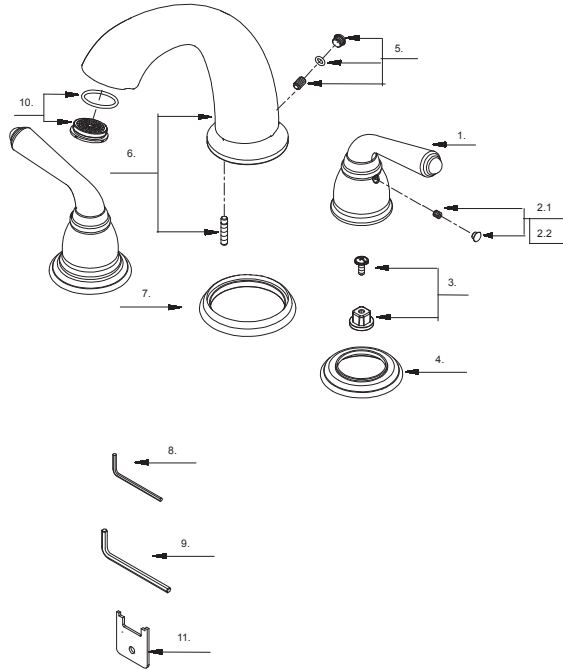
**FAX: 866-532-8307**  
**FAX: 800-683-4247**  
**FAX: 800-640-2252**

Visit Our Web Site : [www.matco-norca.com](http://www.matco-norca.com)

**Product Spec Sheet**

# Two Handle Roman Tub Trim Kit

No.	Name	Part No.
1	Metal Handle	A069130
2.1	Index Button-Cold	A603595C
2.2	Index Button-Hot	A603595H
3	Handle Adapter	A66D880
4	Handle Trim Ring	A215292
5	Spout Trim Cap	A603301
6	Spout Set	A666881
7	Spout Trim Ring	A303036
8	Hex Wrench (H2.5 * 19 mm L * 53 mm L)	A031000NI
9	Hex Wrench (H3.18 * 20 mm L * 90 mm L)	A031017NI
10	Flow Straightener	A66D500KP
11	Wrench	A031264NI



**Product Spec Sheet**