

**PO-730C**

**PO-730BN**



**PO-720C**

**PO-720BN**

**PO-730CJP**

**PO-730BNJP**

**PO-720CJP**

**PO-720BNJP**

# Single Handle Tub & Shower Faucet

# Product Spec Sheet



## FEATURES & BENEFITS

- Metal Lever Handle
- Washerless Pressure Blancing Valve
- Slip Fit Diverter Spout
- Max Flow Rate 2.0 GPM (7.6 L/MIN) At 80 PSI (ASME A112.18.1M/A112.18.1)

### APPROVALS:

Meets or Exceeds The Following:

\* ANSI/ASME A112.18.1M/A112.18.1

\* IAPMO/cUPC

PO-730C  
Tub & Shower Faucet  
Chrome Finish

PO-730BN  
Tub & Shower Faucet  
Brushed Nickel Finish

PO-720C  
Shower Only Faucet  
Chrome Finish

PO-720BN  
Shower Only Faucet  
Brushed Nickel Finish

PO-730CJP  
Trim Kit For Tub & Shower Faucet  
Chrome Finish

PO-730BNJP  
Trim Kit For Tub & Shower Faucet  
Brushed Nickel Finish

PO-720CJP  
Trim Kit For Shower Only Faucet  
Chrome Finish

PO-720BNJP  
Trim Kit For Shower Only Faucet  
Brushed Nickel Finish



\* WaterSense Only On Models Containing Showerheads

**CALIFORNIA:**

**TEL: 866-532-8306**

**FAX: 866-532-8307**

**TEXAS:**

**TEL: 800-935-5456**

**FAX: 800-683-4247**

**NEW YORK:**

**TEL: 800-431-2082**

**FAX: 800-640-2252**

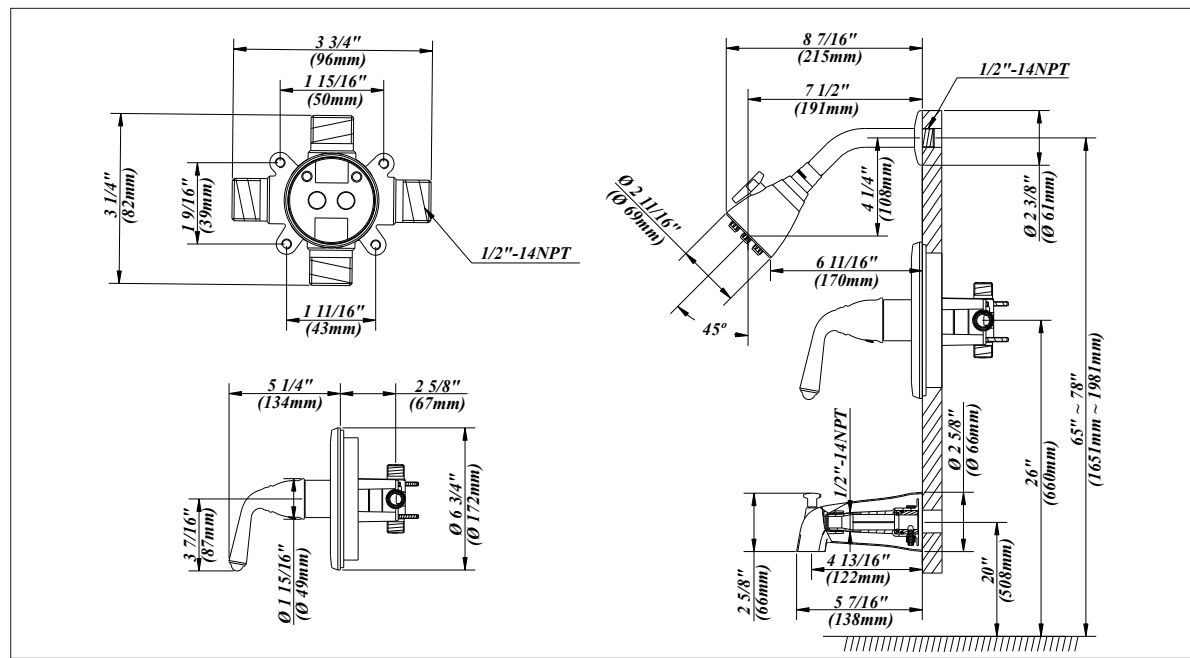
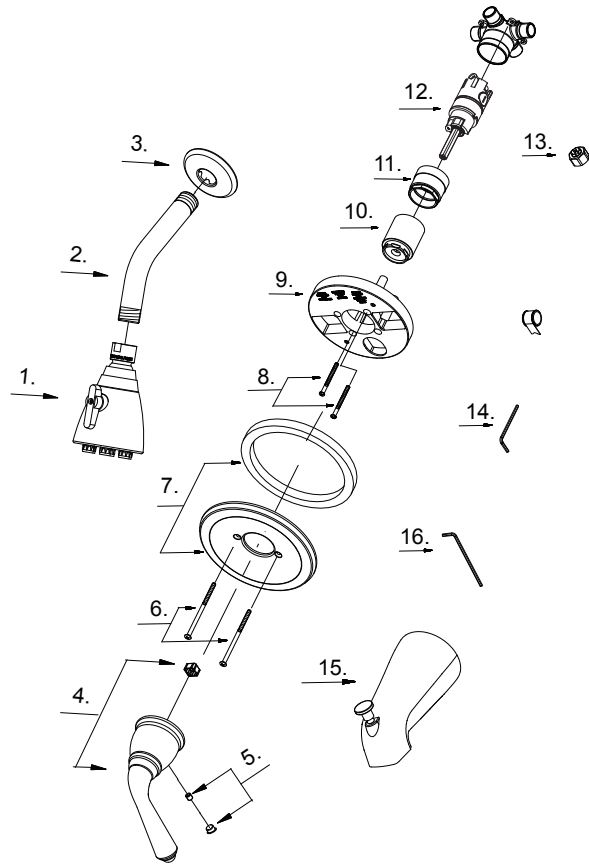
Visit Our Web Site : [www.matco-norca.com](http://www.matco-norca.com)

- PO-730C**                       **PO-730BN**
- PO-720C**                       **PO-720BN**                       **PO-730CJP**
- PO-730BNJP**                       **PO-720CJP**                       **PO-720BNJP**



# Single Handle Tub & Shower Faucet

No.	Name	Part No.
1	Shower Head	S11B4300
2	Shower Arm	A020002
3	Shower Arm Flange	A019001
4	Metal Handle Assembly	A66E689
5	Handle Cap	A66D568KP
6	Screw Set (3/16" -24 * 5" L)	A608226
7	Escutcheon Assembly	A667915
8	Screw Set (3/16" -24 * 2-3/16" L)	A608519
9	Plaster Guard	A127007
10	Sleeve	A103322
11	Retainer Nut	A103310
12	Washerless Cartridge Assembly	A507975
13	Plug	A028452
14	Hex Wrench (H2.5 * 19 mm L * 53 mm L)	A031000NI
15	Spout W/Diverter	A118011
16	Hex Wrench (H3.18 * 20 mm L * 90 mm L)	A031017NI



# Product Spec Sheet

CALIFORNIA:  
TEXAS:  
NEW YORK:

TEL: 866-532-8306  
TEL: 800-935-5456  
TEL: 800-431-2082

FAX: 866-532-8307  
FAX: 800-683-4247  
FAX: 800-640-2252

Visit Our Web Site : [www.matco-norca.com](http://www.matco-norca.com)