

□ **PD-710C**

□ **PD-710BN**



Single Handle Tub Only Faucet



FEATURES & BENEFITS

- Metal Lever Handle
- Washerless Pressure Blancing Valve
- Decorative Slip Fit Spout
- Min Flow Rate 2.4 GPM (9.0 L/MIN) At 20 PSI (ASME A112.18.1)

PD-710C
Chrome Finish

PD-710BN
Brushed Nickel Finish

APPROVALS:

Meets or Exceeds The Following:

* ANSI/ASME A112.18.1

* IAPMO/cUPC



CALIFORNIA:
TEXAS:
NEW YORK:

TEL: 866-532-8306
TEL: 800-935-5456
TEL: 800-431-2082

FAX: 866-532-8307
FAX: 800-683-4247
FAX: 800-640-2252

Visit Our Web Site : www.matco-norca.com

Product Spec Sheet

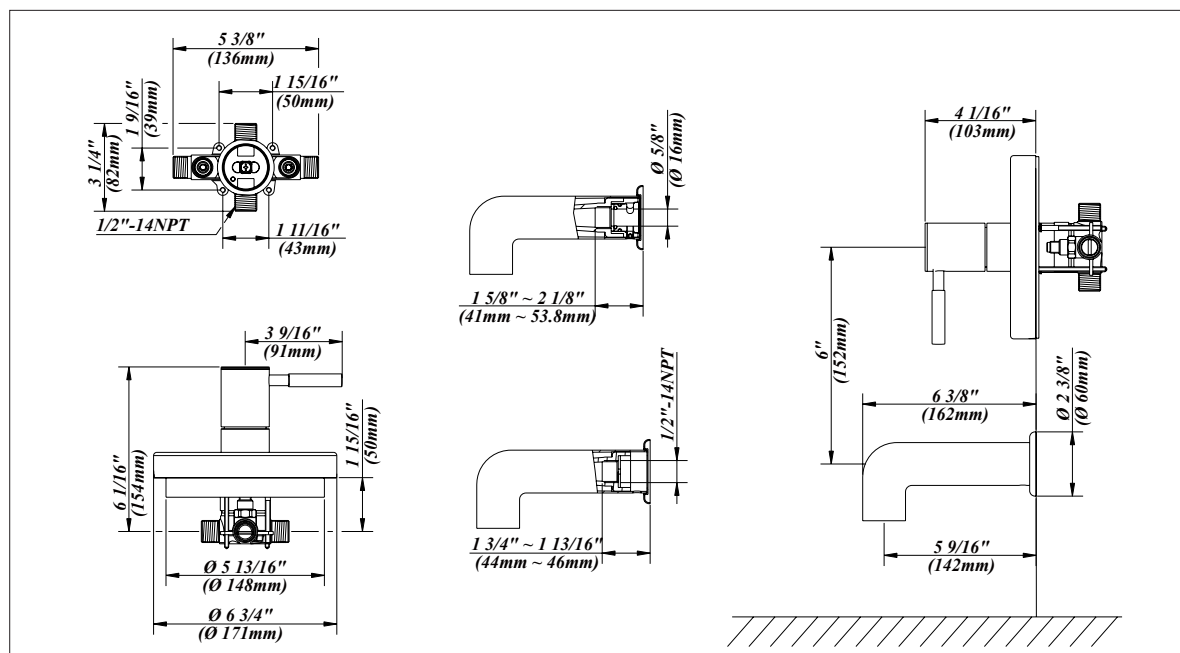
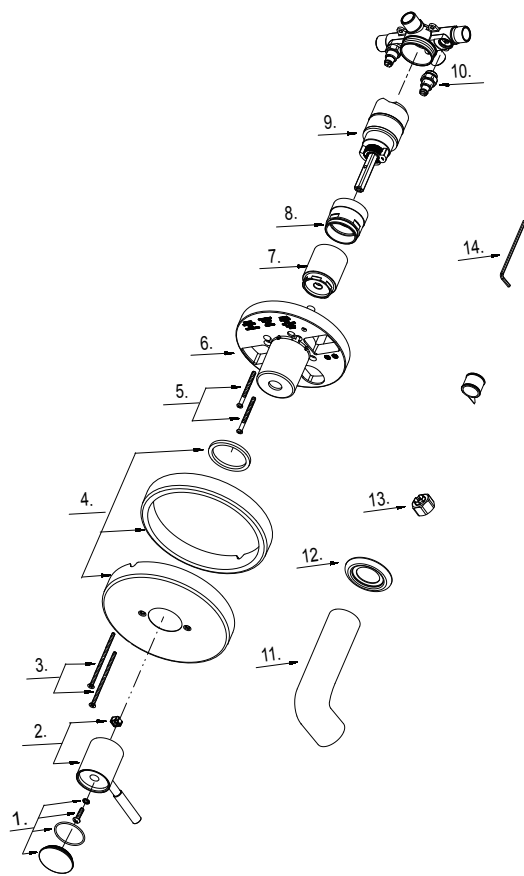
□ **PD-710C**

□ **PD-710BN**



Single Handle Tub Only Faucet

No.	Name	Part No.
1	Handle Cap	A66D592
2	Metal Handle	A662098
3	Screw Set (3/16" -24 * 5" L)	A608226
4	Escutcheon Assembly	A667809
5	Screw Set (3/16" -24 * 2-3/16" L)	A608519
6	Plaster Guard	A127211KP
7	Sleeve	A103322
8	Retainer Nut	A103310
9	Washerless Cartridge Assembly	A507902
10	Check Valve	A603120
11	Spout	A523264
12	Spout Escutcheon	A303070
13	Plug	A028452
14	Hex Wrench (H3.18 *20 mm L * 90 mm L)	A031017NI



Product Spec Sheet

CALIFORNIA:
TEXAS:
NEW YORK:

TEL: 866-532-8306
TEL: 800-935-5456
TEL: 800-431-2082

FAX: 866-532-8307
FAX: 800-683-4247
FAX: 800-640-2252

Visit Our Web Site : www.matco-norca.com