

B1-RWG Wafer Style PVC Butterfly Valve • Spec Sheet

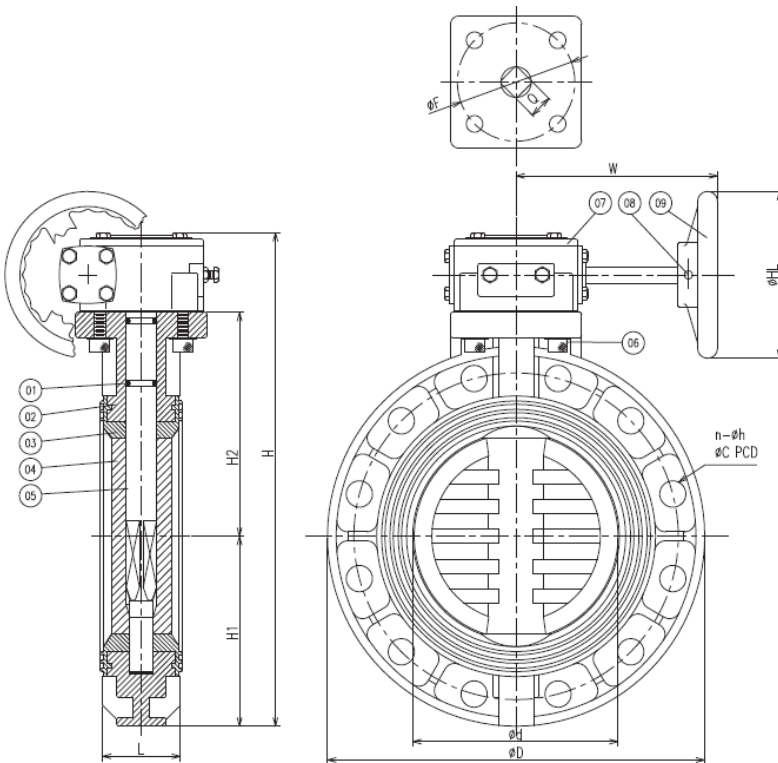


FEATURES & BENEFITS

- Wafer Style
- Gear Operator
- 200 PSI
- CE Approved
- Sizes 8" - 12"

DIMENSIONS

Part #	Size	L	Ød	ØD	ØC	n-Øh	H	H1	H2	W	ØF	Q	ØHL
B1-RWG8	8"	2.80	7.29	13.59	11.76	0.32 - 0.87	17.61	6.82	8.00	7.45	4.02	0.87	7.96
B1-RWG10	10"	3.55	9.22	16.27	14.26	0.47 - 0.99	20.57	8.16	9.53	7.45	4.02	0.87	7.96
B1-RWG12	12"	4.00	11.11	19.35	17.00	0.47 - 0.99	24.82	9.65	11.03	9.22	4.93	1.06	7.96



MATERIAL SPECIFICATIONS

No.	Part	Material
1	O-Ring	EPDM
2	Body	PVC
3	Seat	EPDM
4	Disc	Polypropylene
5	Stem	Stainless Steel 410
6	Bolt	Stainless Steel 27
7	Worm Gear	Cast Iron FC20
8	Pin	Stainless Steel 410
9	Handle	Cast Iron FC20

MATCO-NORCA
Global sourcing. National compliance. Local service.

CALIFORNIA 5595 Fresca Dr., La Palma CA 90623
TEXAS 1150 Silber Rd., Houston TX 77055
ILLINOIS 278 Windy Point Dr., Glendale Heights, IL 60139
GEORGIA 113 Industrial Blvd., Americus, Georgia 31709
NEW YORK PO Box 27, Rt.22, Brewster NY 10509
 WEB: www.matco-norca.com

• Phone: 866-532-8306 • Fax: 866-532-8307
 • Phone: 800-935-5456 • Fax: 713-680-2999
 • Phone: 844-412-5068 • Fax: 800-640-2252
 • Phone: 800-433-7526 • Fax: 800-533-5134
 • Phone: 800-431-2082 • Fax: 845-278-9056
 EMAIL: mail@matco-norca.com