

200AL Brass Angle Globe Valve

Specification Sheet

FEATURES & BENEFITS

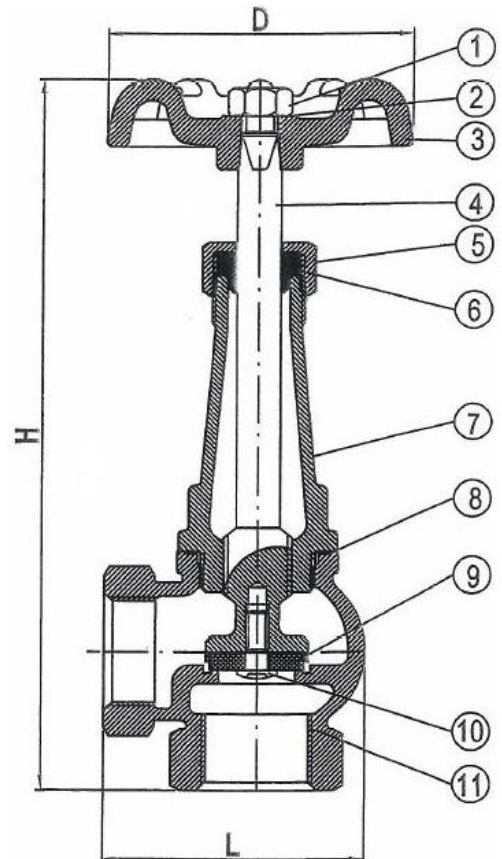
- 125 PSI
- Brass Globe Valve
- Long Bonnet
- Angle Pattern
- Soft Seats
- 1/2" Only Threaded & Sweat

MATERIAL SPECIFICATIONS

No.	Part	Material
1	Nut	Steel SAE 1010R
2	Name Plate	Aluminum A 1070
3	Handle Wheel	Cast Iron
4	Stem	Brass B584, C85710
5	Packing Nut	Brass C37700
6	Packing	BUNA-N
7	Bonnet	Brass B584, C85710
8	Packing	FIBRE "H"
9	Seat Packing	BUNA-N
10	Seat Screw	Brass C37700
11	Body	Brass B584, C85710

DIMENSIONS

Part #	Size	H	L	D
200ALT3	1/2"	4.85	1.65	2.13
200ALC3	1/2"	4.73	1.73	2.13



MATCO
NORCA