

TNS-C01/TNS-C02 Pressure Balanced Trim Kit Only



Product Spec Sheet

PRESSURE BALANCED TRIM KIT ONLY



FEATURES & BENEFITS

- Trim Kit For Pressure Balanced Tub And Shower Faucet
- Plastic Showerhead
- Metal Shower Arm And Flange
- Metal Lever Handle OR Round Acrylic Handle
- Chrome Finish
- 100% Factory Pressure Tested Before Shipment

- * TNS-C01
Shower Only Trim Kit
Round Acrylic Handle
Chrome Finish
- * TNS-C02
Shower Only Trim Kit
Metal Lever Handle
Chrome Finish

* Tub & Shower Trim Kit Available

Approvals:
Meets or Exceeds The Following:

- * ANSI/ASME A112.18.1
- * CSA B125.1
- * IAPMO/UPC



BREWSTER, NY: TEL: 800-431-2082
HOUSTON, TX: TEL: 800-935-5456
LA PALMA, CA: TEL: 866-532-8306

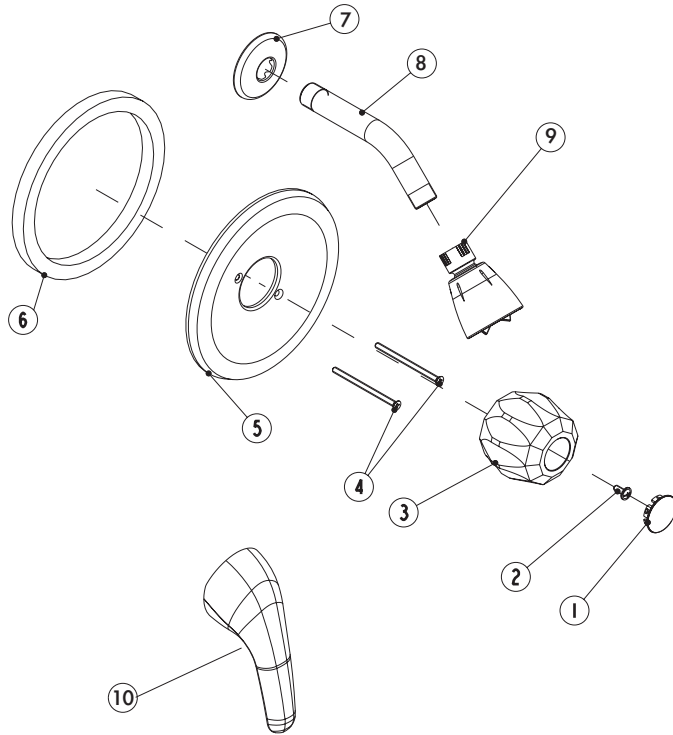
FAX: 800-640-2252
FAX: 800-683-4247
FAX: 866-832-8307

Visit Our Web Site : www.matco-norca.com

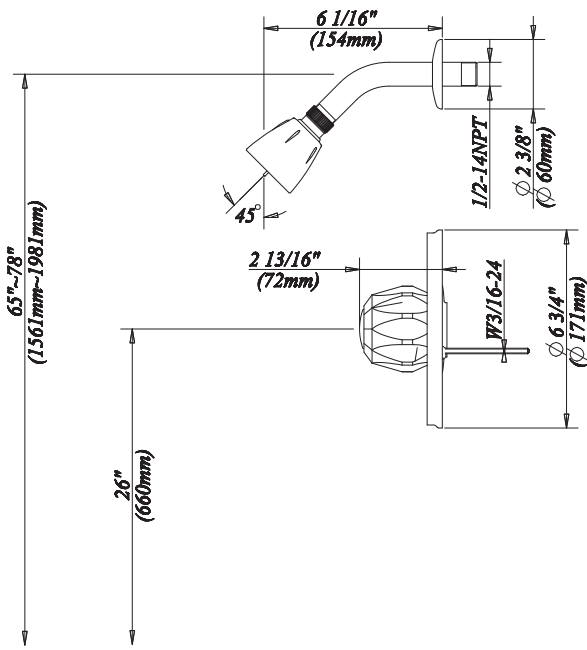
TNS-C01/TNS-C02 Pressure Balanced Trim Kit Only



No	Part Title	Material
1	Handle Cap	Plastic & Aluminum
2	Handle Screw	Stainless Steel
3	Handle	Acrylic
4	Escutcheon Screw	Brass
5	Escutcheon	Stainless Steel
6	Washer	Plastic EVA3540
7	Shower Plate	Stainless Steel
8	Shower Arm	Stainless Steel
9	Shower Head	Plastic
10	Handle	Zinc



Product Spec Sheet



Approvals:
Meets or Exceeds
The Following:
* ANSI/ASME A112.18.1
* CSA B125.1
* IAPMO/UPC



BREWSTER, NY: 1944 Route 22 Brewster, NY 10509
HOUSTON, TX: 1150 Silber Road Houston, TX 77055
LA PALMA, CA: 5593 Fresca Drive La Palma, CA 90623

Visit Our Web Site : www.matco-norca.com