

TNS-783WS

Three Handle Tub & Shower Faucet



THREE HANDLE TUB & SHOWER FAUCET



Product Spec Sheet

FEATURES & BENEFITS

- Acrylic round handles
- Washerless cartridge
- Brass Shower Arm & Flange
- Zinc spout
- IPS connections
- Max Flow Rate 2.5GPM at 80 PSI
- Chrome finish

Approvals:

Meets or Exceeds The Following:

* ANSI/ASME A112.18.1

* CSA B125.1

* IAPMO/UPC



BREWSTER, NY: TEL: 800-431-2082

HOUSTON, TX: TEL: 800-935-5456

LA PALMA, CA: TEL: 866-532-8306

FAX: 800-640-2252

FAX: 800-683-4247

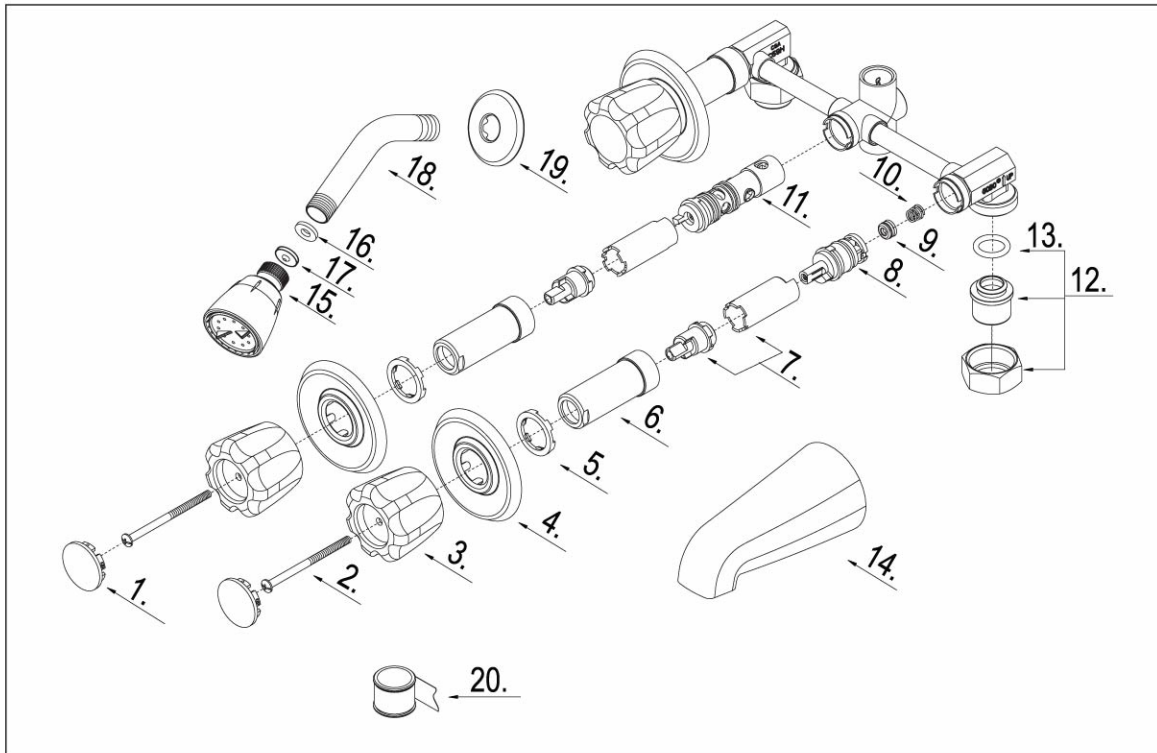
FAX: 866-832-8307

Visit Our Web Site : www.matco-norca.com

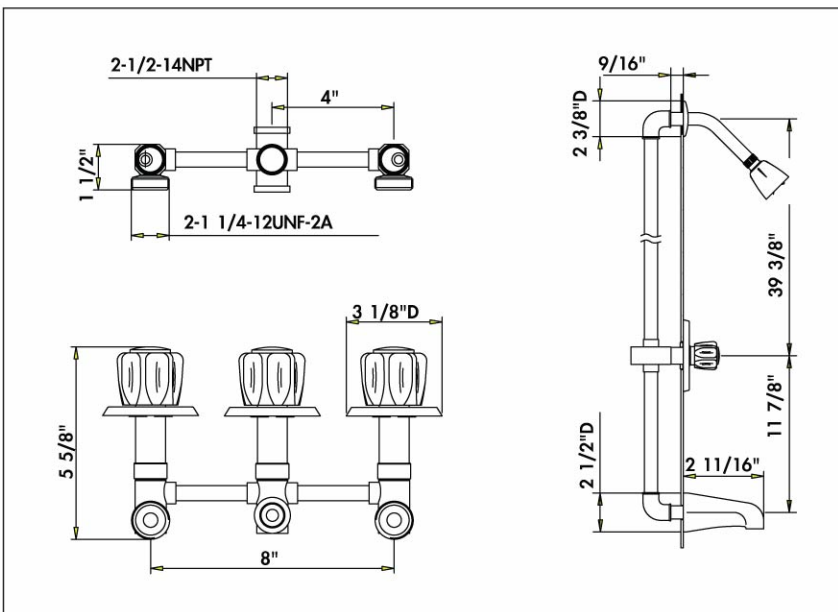
TNS-783WS Three Handle Tub & Shower Faucet



Product Spec Sheet



No	Part Title	Material	No	Part Title	Material
1	Index Button	Plastic	11	Diverter Cartridge	Plastic
2	Screw	Steel	12	Union Nut	Brass
3	Acrylic Handle	Plastic	13	O-Ring	Rubber
4	Escutcheon	Brass	14	Spout	Zinc Alloy
5	Washer	Rubber	15	Shower Head	Plastic
6	Sleeve	Zinc Alloy	16	Seal	Rubber
7	Stem Extension	Plastic	17	Flow Restrictor	Plastic
8	Washerless Cartridge	Plastic/Steel	18	Shower Arm	Brass
9	Seat	Rubber	19	Shower Arm Flange	Brass
10	Spring	Steel	20	Pipe Tape	Plastic



Approvals:
Meets or Exceeds The Following:

- * ANSI/ASME A112.18.1
- * CSA B125.1
- * IAPMO/UPC

BREWSTER, NY: P.O. BOX 27 Route 22 Brewster, NY 10509
HOUSTON, TX: 1150 Silber Road Houston, TX 77055
LA PALMA, CA: 5593 Fresca Drive La Palma, CA 90623

Visit Our Web Site : www.matco-norca.com