

TNS-782 Tub & Shower Faucet

Spec Sheet

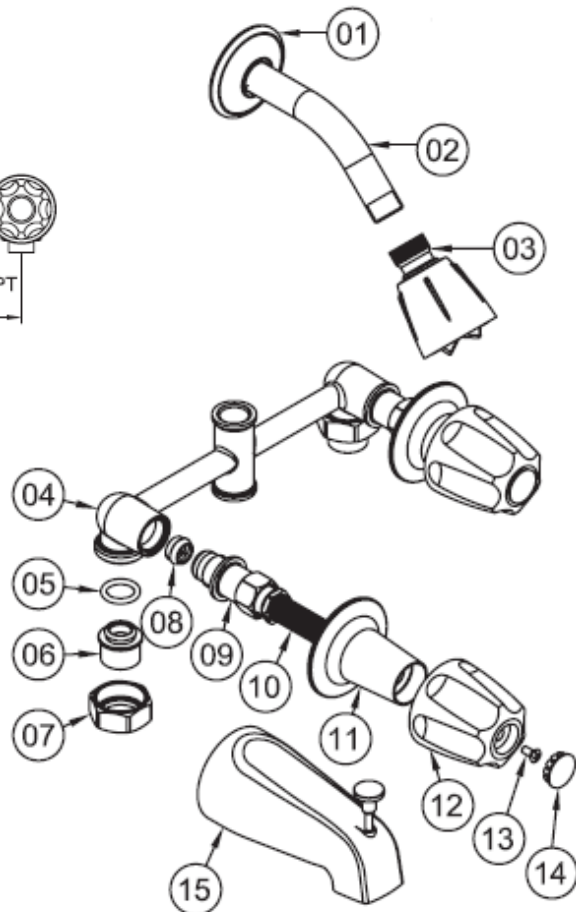
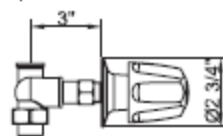
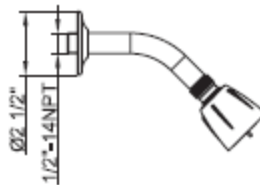
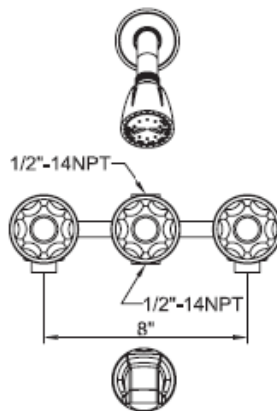


FEATURES & BENEFITS

- Classic Design
- Two Chrome Plated Metal Handles
- Compression Stems
- Brass Water Way
- 1/2" FIP & 1/2" Solder Inlet Connection
- 8" Center
- 2.5 GPM at 80 PSI
- Chrome Plated Brass Shower Arm
- Chrome Plated Shower Head
- Threaded Die Cast Zinc Tub Spout

MATERIAL SPECIFICATIONS

No.	Part	Material
1	Shower Flange	Stainless Steel
2	Shower Arm	Brass
3	Shower Head	ABS
4	Body	Brass
5	O-Ring	NBR
6	Union	Brass
7	Coupling Nut	Brass
8	Seat	Brass
9	Compression Stem	Brass
10	Sleeve	Poly Propylene
11	Escutcheon	Zinc
12	Handle	Zinc
13	Handle Screw	Stainless Steel
14	Index Button	Acrylic
15	Tub Spout	Zinc



MATCO-NORCA

Global sourcing. National compliance. Local service.

NEW YORK

TEXAS

CALIFORNIA

WEB: www.matco-norca.com

PO Box 27, Rt. 22, Brewster NY 10509 • Toll Free: 800-431-2082 • Fax: 845-278-9056

1150 Silber Rd., Houston TX 77055 • Toll Free: 800-935-5456 • Fax: 713-680-2999

5593 Fresca Dr., La Palma CA 90623 • Toll Free: 866-532-8306 • Fax: 866-532-8307

EMAIL: mail@matco-norca.com