

FY-990 BAR FAUCET

BAR FAUCET



FEATURES & BENEFITS

- Fits 4" Centers
- 1/2"-14 NPS Inlet
- Metal Round Handles
- 8" Spout
- 100% Factory Pressure Tested Before Shipment

* FY-990
Chrome Finish

APPROVALS:

Meets or Exceeds The Following:

- * ANSI/ASME A112.18.1
- * CSA B125.1
- * IAPMO/UPC



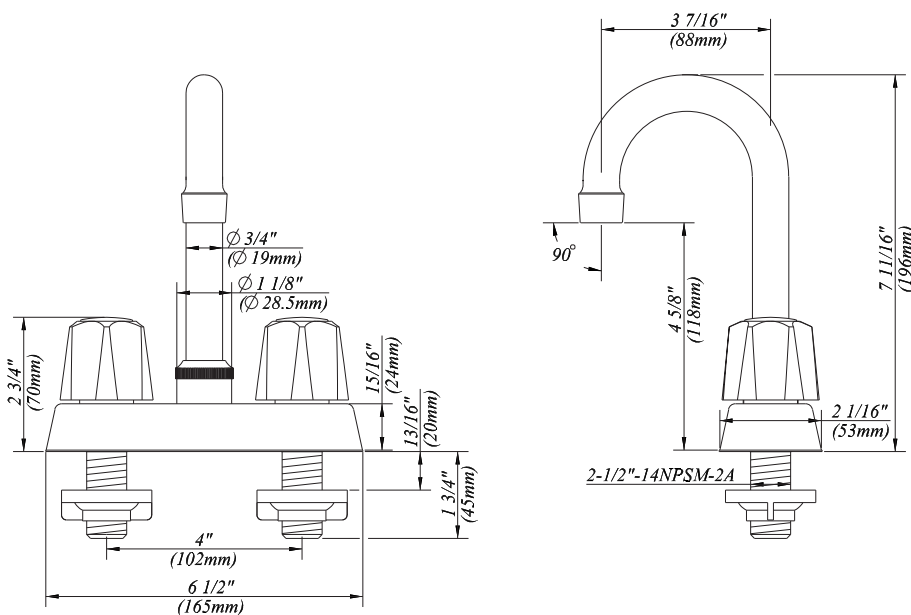
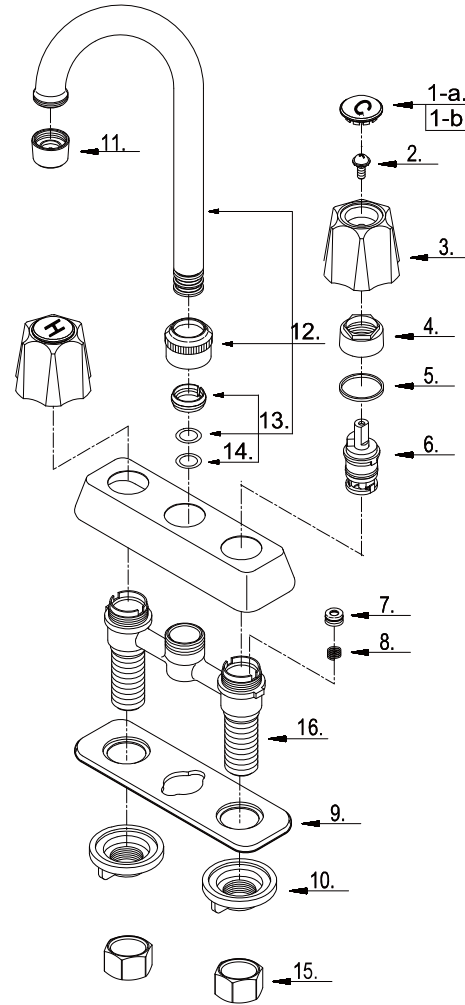
BREWSTER, NY: TEL: 800-431-2082
HOUSTON, TX: TEL: 800-935-5456
LA PALMA, CA: TEL: 866-532-8306

FAX: 800-640-2252
FAX: 800-683-4247
FAX: 866-532-8307

FY-990 BAR FAUCET

MATCO-NORCA

No	Part Title	Material
1-a	Index Button-Cold	Metal
1-b	Index Button-Hot	Metal
2	Screw	Stainless Steel
3	Metal Handle	Zinc
4	Retainer Nut	Zinc
5	Washer	Rubber
6	Washerless Cartridge	Plastic
7	Seat	Rubber
8	Spring	Rubber
9	Putty Plate	Brass
10	Lock Nut	Brass
11	Aerator	Brass/Plastic
12	Spout Assembly	Brass
13	Spout Seal Kit	Rubber
14	O-Ring	Rubber
15	Coupling Nut	Brass
16	Body	Polymer&Brass



ANSI/NSF 61-9



APPROVALS:
Meets or Exceeds
The Following:
 * ANSI/ASME A112.18.1
 * CSA B125.1
 * IAPMO/UPC

Product Spec Sheet

BREWSTER, NY: TEL: 800-431-2082
HOUSTON, TX: TEL: 800-935-5456
LA PALMA, CA: TEL: 866-532-8306

FAX: 800-640-2252
FAX: 800-683-4247
FAX: 866-532-8307

MATCO-NORCA

Visit Our Web Site : www.matco-norca.com