

FY-985

4" TWO HANDLE LAUNDRY FAUCET

4" TWO HANDLE LAUNDRY FAUCET

Product Spec Sheet



FEATURES & BENEFITS

- Metal handles
- Threaded hose-end adapter included
- Chrome Finish

* FY-985
Chrome Finish

APPROVALS:

Meets or Exceeds The Following:

- * ANSI/ASME A112.18.1
- * CSA B125.1
- * IAPMO/UPC



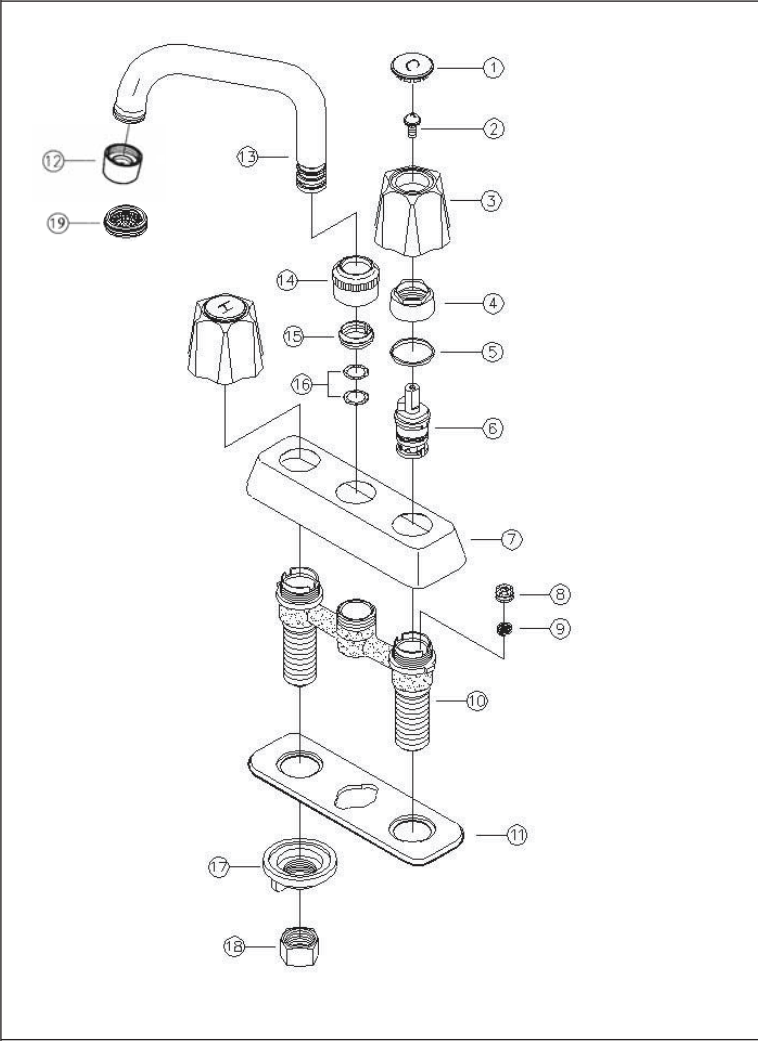
BREWSTER, NY: TEL: 800-431-2082
HOUSTON, TX: TEL: 800-935-5456
LA PALMA, CA: TEL: 866-532-8306

FAX: 800-640-2252
FAX: 800-683-4247
FAX: 866-532-8307

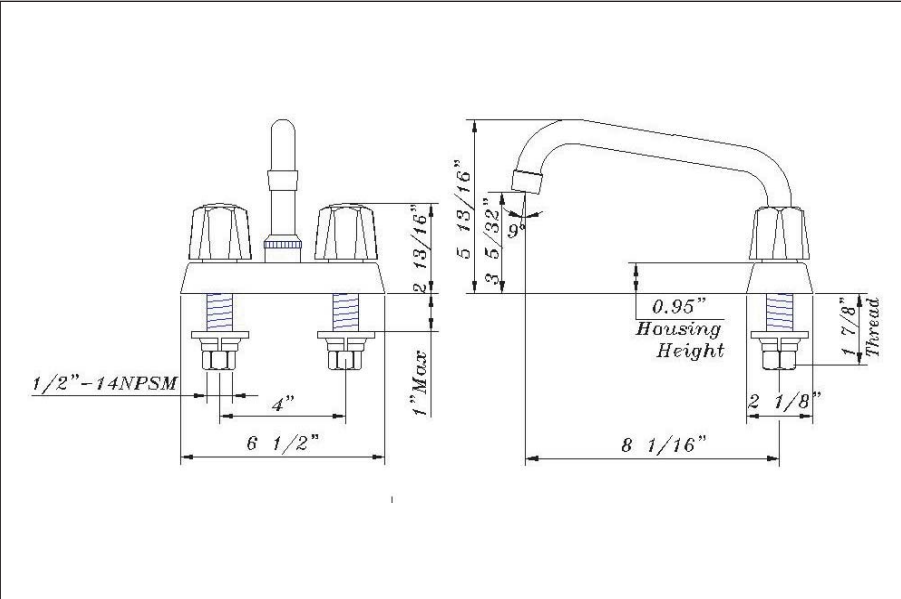
FY-985

4" TWO HANDLE LAUNDRY FAUCET

No.	Name	Material
1	Cap	Brass
2	Screw	Steel
3	Handle	Zinc
4	Retainer Nut	Brass
5	Plastic ring	Rubber
6	Cartridge	Brass/Plastic
7	Cover plate	Brass
8	Seat	Rubber
9	Spring	Steel
10	Body	Polymer&Brass
11	Bottom plate	Plastic
12	Aerator	Brass/Plastic
13	Spout	Brass
14	Spout base	Brass
15	C-clip	Plastic
16	O-RING	Rubber
17	Lock nut	Plastic
18	Coupling nut	Brass
19	Aerator	Brass/Plastic



Product Spec Sheet



APPROVALS:
Meets or Exceeds The Following:
 * ANSI/ASME A112.18.1
 * CSA B125.1
 * IAPMO/UPC

BREWSTER, NY: P.O. BOX 27 Route 22 Brewster, NY 10509
HOUSTON, TX: 1150 Silber Road Houston, TX 77055
LA PALMA, CA: 5593 Fresca Drive La Palma, CA 90623

Visit Our Web Site : www.matco-norca.com