

# FT-350 SERVICE SINK FAUCET

RESTAURANT QUALITY - HEAVY DUTY



Product Spec Sheet

## FEATURES & BENEFITS

- ❖ Two Handle
- ❖ Compression Stems
- ❖ Vacuum Breaker and Bucket Hook



**BREWSTER:** TEL: 800-431-2082 FAX: 800-640-2252

**HOUSTON:** TEL: 800-935-5456 FAX: 800-683-4247

PREVIOUS



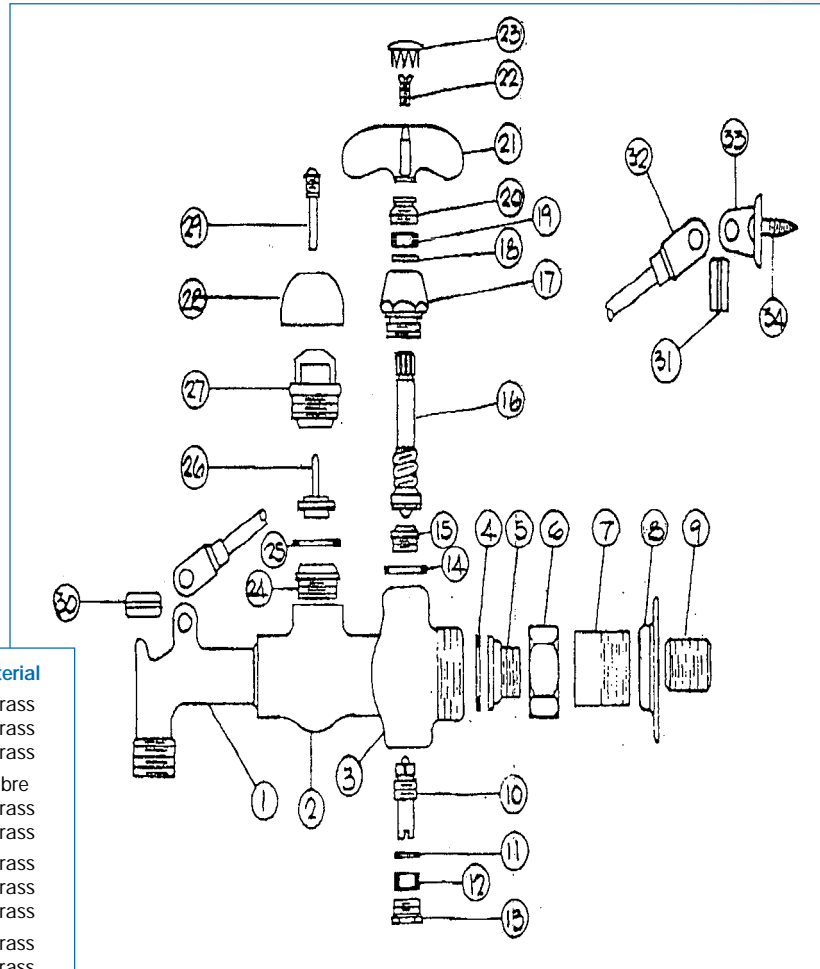
Click The Product Name Below To Return To That Index  
BRASS & BRONZE VALVES CAST IRON VALVES FAUCETS



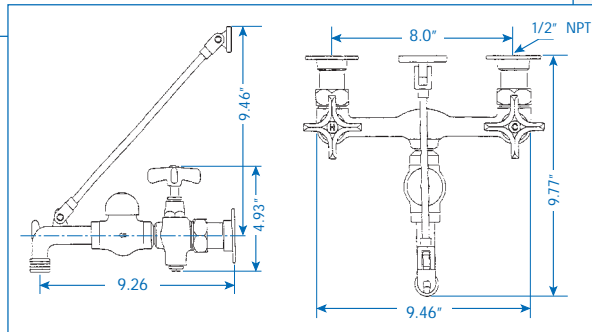
NEXT

Click Here For  
DRAWINGS & DIMENSIONS

# FT-350 SERVICE SINK FAUCET



No.	Part Title	Material
1	Service Sink Nozzle	Brass
2	Vacuum Breaker Body	Brass
3	Valve Body	Brass
4	Fibre Washer	Fibre
5	Swivel	Brass
6	Coupling Nut	Brass
7	Bushing	Brass
8	Flange	Brass
9	Nipple	Brass
10	I.S. Spindle	Brass
11	Brass Washer	Brass
12	Neoprene Packing	Rubber
13	Packing Nut	Brass
14	P.E. Washer	Plastic
15	Brass Seat	Brass
16	Valve Spindle	Brass
17	Hub	Brass
18	Brass Washer	Brass
19	Neoprene Packing	Rubber
20	Packing Nut	Brass
21	Zinc Handle	Zinc
22	Handle Screw	Brass
23	Index	Brass
24	Vacuum Valve Seat	Brass
25	Fibre Washer	Fibre
26	Vacuum Breaker Washer Assembly	Brass
27	Vacuum Breaker Hub	Brass
28	Vacuum Breaker Cap	Brass
29	Vacuum Breaker Screw	Brass



30	Brace Pin	Stainless
31	Brace Pin	Stainless
32	Brace Assembly	Brass
33	Brace Flange	Brass
34	Wood Screw	Brass

Product Spec Sheet



**BREWSTER:** TEL: 800-431-2082 FAX: 800-640-2252

**HOUSTON:** TEL: 800-935-5456 FAX: 800-683-4247

PREVIOUS

Click The Product Name Below To Return To That Index  
[BRASS & BRONZE VALVES](#)   [CAST IRON VALVES](#)   [FAUCETS](#)

NEXT

Click Here For  
[PHOTO & FEATURES](#)