

**FT-315ED**

# **8" Two Handle Kitchen Faucet**



## **8" TWO HANDLE KITCHEN FAUCET**



# **Product Spec Sheet**

### **FEATURES & BENEFITS**

- Washerless Cartridge.
- Round Metal Handles
- Water Saving Aerator
- Max Flow Rate 2.2 GPM (8.3LPM) at 60 PSI (ASME. A112.18.1)
- With Black Spray Off Deck

FT-315ED  
Chrome Finish

Approvals:  
**Meets or Exceeds The Following:**

- \* ANSI/ASME A112.18.1
- \* CSA B125.1
- \* ANSI/NSF 61 – Sec. 9
- \* IAPMO/UPC



**BREWSTER, NY: TEL: 800-431-2082**  
**HOUSTON, TX: TEL: 800-935-5456**  
**LA PALMA, CA: TEL: 866-532-8306**

**FAX: 800-640-2252**  
**FAX: 800-683-4247**  
**FAX: 866-832-8307**

Visit Our Web Site : [www.matco-norca.com](http://www.matco-norca.com)

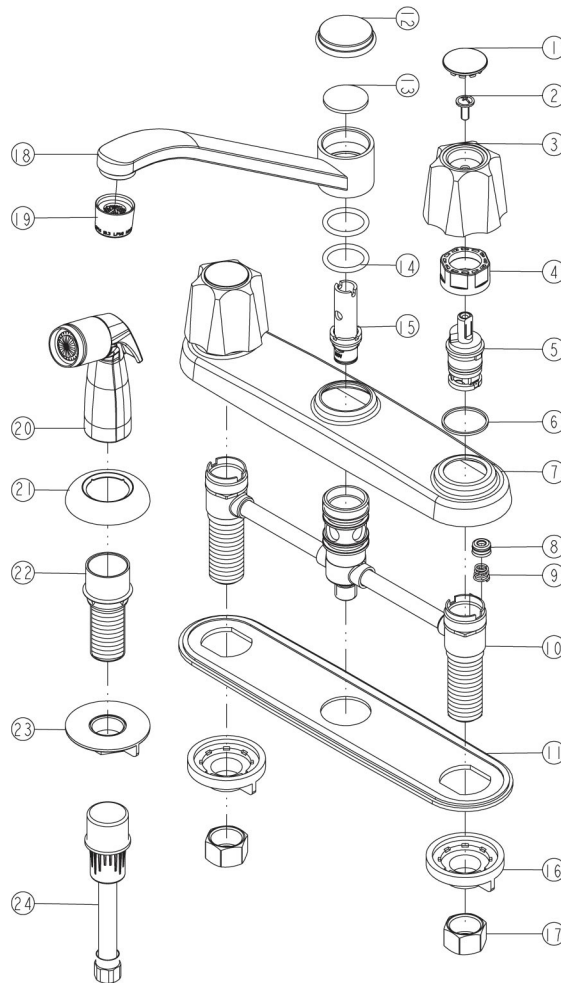
# FT-315ED

## 8" Two Handle Kitchen Faucet



# Product Spec Sheet

No	Part Title	Material
1-a	Index Button-Cold	Brass
1-b	Index Button -Hot	Brass
2	Screw	Steel
3	Metal Handle	Zinc
4	Retainer Nut	Plastic
5	Washerless Cartridge	Plastic&Brass
6	Washer	Steel
7	Seat	Plastic
8	Spring	steel
9	Putty Plate	Plastic
10	Lock Nut	Plastic
11	Coupling Nut	Brass
12	Spout Trim Cap	Plastic&Brass
13	Spout	Brass
14	O-Ring	Plastic
15	Diverter w/Vacuum Breaker	Brass
16	Aerator	Plastic&Brass
17	Side Spray	Plastic&Brass
18	Spray Holder Assembly	Plastic&Brass
19	Spray Hose	Plastic



**FT-315ED**  
Chorme Finish

Approvals:  
**Meets or Exceeds The Following:**

- \* ANSI/ASME A12.18.1
- \* CSA B125.1
- \* ANSI/NSF 61 – Sec. 9
- \* IAPMO/UPC



**BREWSTER, NY: P.O. BOX 27 Route 22 Brewster, NY 10509**  
**HOUSTON, TX: 1150 Silber Road Houston, TX 77055**  
**LA PALMA, CA: 5593 Fresca Drive La Palma, CA 90623**

Visit Our Web Site : [www.matco-norca.com](http://www.matco-norca.com)

