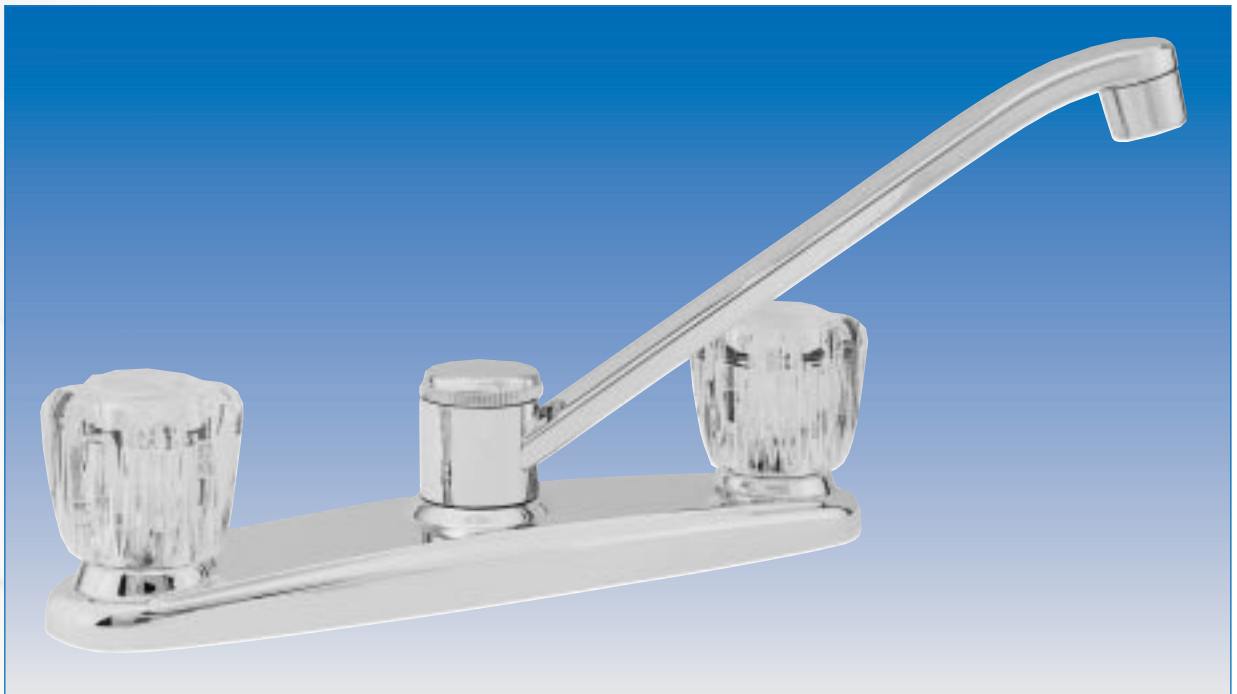


FT-300ED KITCHEN FAUCET



TWO HANDLE - WASHERLESS



FEATURES & BENEFITS

- ❖ Washerless Cartridges
- ❖ All Brass Waterways
- ❖ Durable Chrome Finish
- ❖ Brass Supply Nuts
- ❖ Crystal Acrylic Handles
- ❖ Water Conserving Aerator
- ❖ Standard Replacement Parts
- ❖ 1/2" NPT Hookup
- ❖ 8" Center
- ❖ NSF Section 61-9 Compliant, UPC Approved
- ❖ Model FT-310ED Comes With Hose & Spray



BREWSTER: TEL: 800-431-2082 FAX: 800-640-2252

HOUSTON: TEL: 800-935-5456 FAX: 800-683-4247

PREVIOUS

Click The Product Name Below To Return To That Index
BRASS & BRONZE VALVES CAST IRON VALVES FAUCETS

NEXT

Click Here For
DRAWINGS & DIMENSIONS

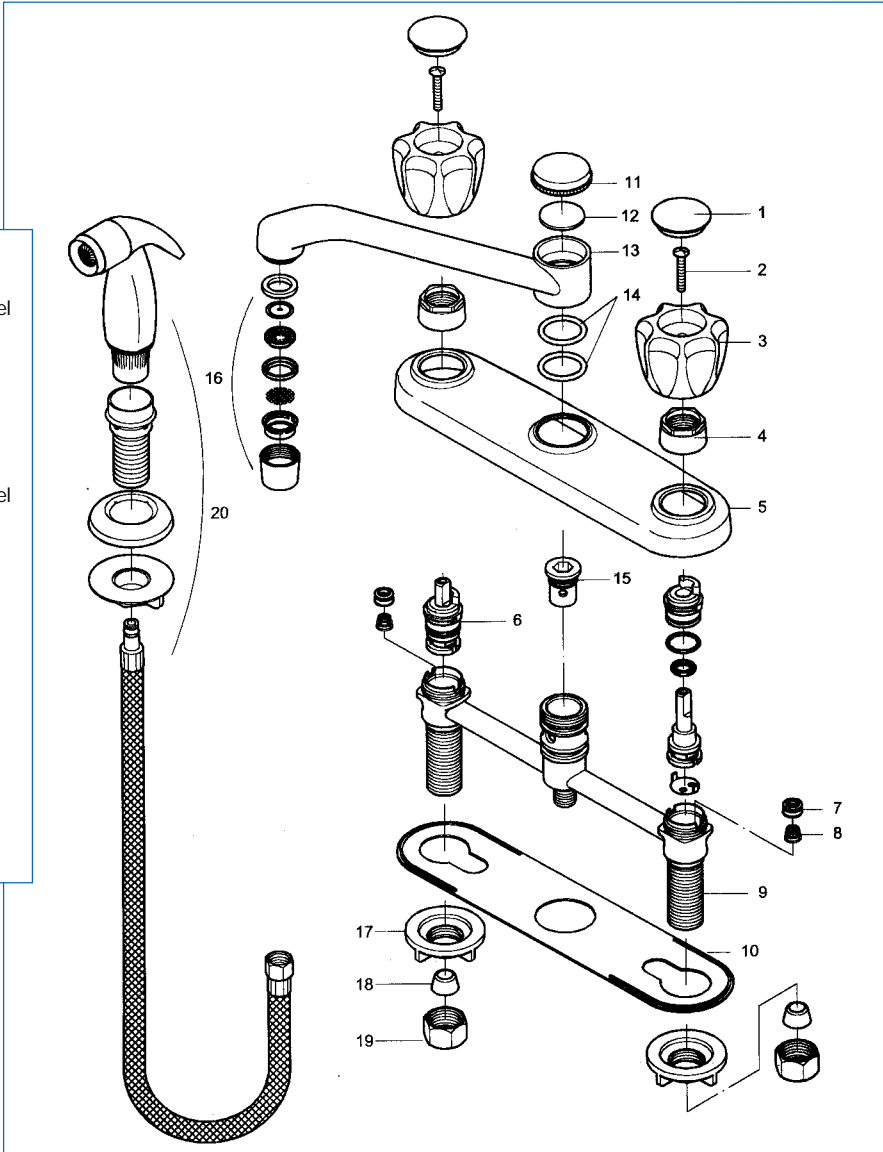
Product Spec Sheet

FT-300ED KITCHEN FAUCET



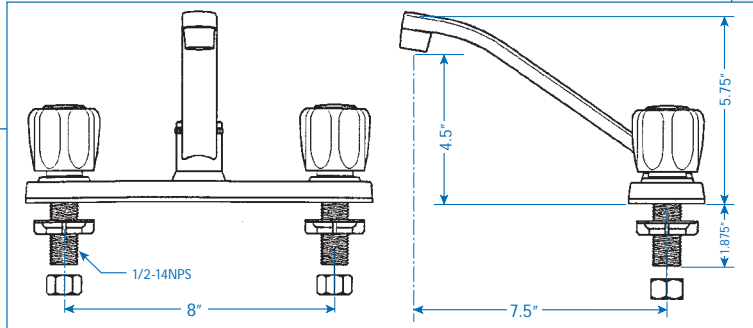
Product Spec Sheet

No.	Part Title	Material
1	Index	Plastic
2	Screw	Stainless Steel
3	Handle	Plastic
4	Nut	Zinc (C.P.)
5	Housing	Zinc (C.P.)
6	Cartridge Assembly	Commercial
7	Seat	Rubber
8	Spring	Stainless Steel
9	Body	Brass
10	Bottom Gasket	Plastic
11	Spout Cap	Zinc (C.P.)
12	Gasket	Rubber
13	Spout	Brass (C.P.)
14	O-Ring	Rubber
15	Diverter	Plastic
16	Aerator Assembly	Commercial
17	Lock Nut	Plastic
18	Cone Washer	Rubber
19	Supply Nut	Brass
20	Spray Assembly	Commercial



FT-300ED -
Less Hose & Spray

FT-310ED -
With Hose & Spray



BREWSTER: TEL: 800-431-2082 FAX: 800-640-2252

HOUSTON: TEL: 800-935-5456 FAX: 800-683-4247

PREVIOUS

Click The Product Name Below To Return To That Index
[BRASS & BRONZE VALVES](#) [CAST IRON VALVES](#) [FAUCETS](#)

NEXT

Click Here For
PHOTO & FEATURES