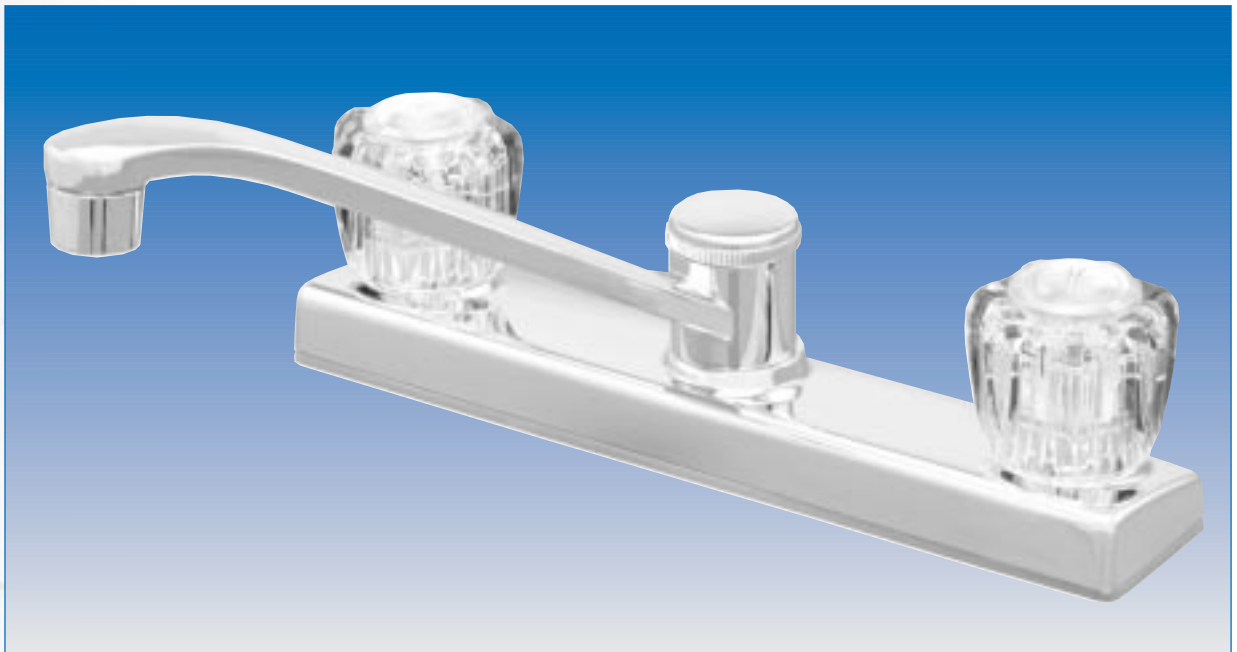


FT-300 KITCHEN FAUCET

TWO HANDLE - WASHERLESS



Product Spec Sheet



FEATURES & BENEFITS

- ❖ Washerless Cartridges
- ❖ All Brass Waterways
- ❖ Durable Chrome Finish
- ❖ Brass Supply Nuts
- ❖ Crystal Acrylic Handles
- ❖ Water Conserving Aerator
- ❖ Standard Replacement Parts
- ❖ 1/2" NPT Hookup
- ❖ 8" Center
- ❖ NSF Section 61-9 Compliant, UPC Approved
- ❖ Model FT-310 Comes With Hose & Spray



BREWSTER: TEL: 800-431-2082 FAX: 800-640-2252

HOUSTON: TEL: 800-935-5456 FAX: 800-683-4247

PREVIOUS

Click The Product Name Below To Return To That Index
BRASS & BRONZE VALVES CAST IRON VALVES FAUCETS

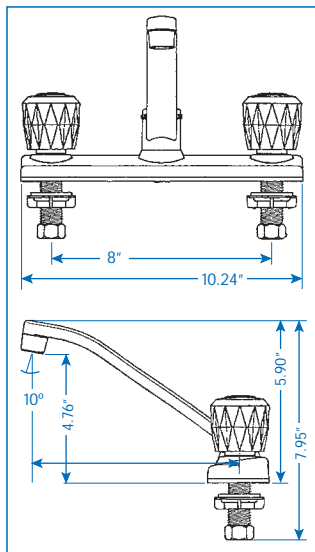
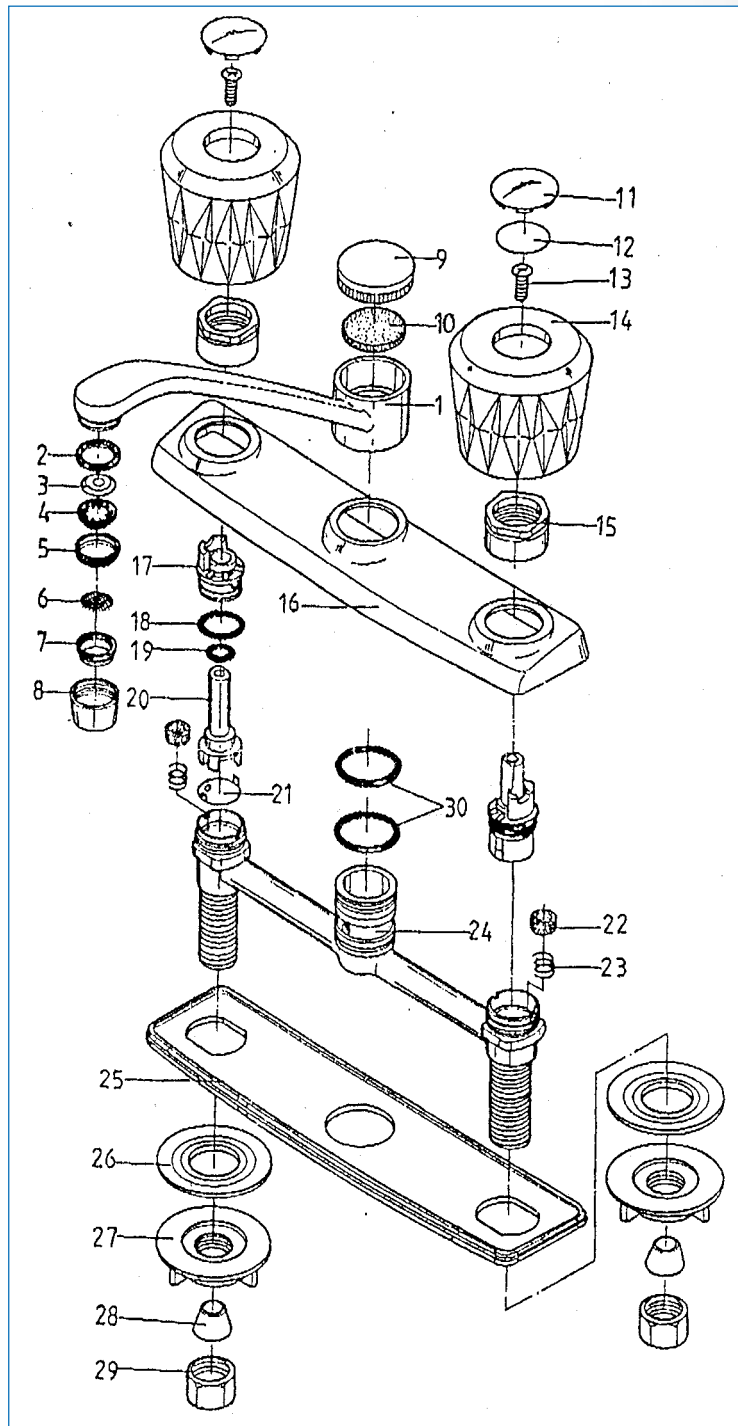
NEXT

Click Here For
DRAWINGS & DIMENSIONS

FT-300 KITCHEN FAUCET



No.	Part Title	Material
1	Spout	Brass (C.P.)
2	Washer	Rubber
3	Flow Restrictor	Plastic
4	Filter Net	Plastic
5	Duracon Ring	Duracon
6	Filter	Steel
7	Filter Seat	Plastic
8	Aerator Cap	Brass (C.P.)
9	Spout Cap	Zinc (C.P.)
10	Gasket	Rubber
11	Index	Plastic
12	Name Plate	Aluminum
13	Screw	Stainless
14	Handle	Plastic
15	Nut	Zinc (C.P.)
16	Housing	Zinc (C.P.)
17	Engagement Bushing	Plastic
18	O-Ring	Rubber
19	O-Ring	Rubber
20	Stem	Brass
21	Seat Plate	Stainless
22	Seat	Rubber
23	Spring	Stainless
24	Body	Brass
25	Bottom Gasket	Plastic
26	Washer	Rubber
27	Lock Nut	Plastic
28	Cone Washer	Rubber
29	Supply Nut	Brass 14 mm



Product Specs



BREWSTER: TEL: 800-431-2082 FAX: 800-640-2252

HOUSTON: TEL: 800-935-5456 FAX: 800-683-4247

PREVIOUS

Click The Product Name Below To Return To That Index
[BRASS & BRONZE VALVES](#) [CAST IRON VALVES](#) [FAUCETS](#)

NEXT

Click Here For
 PHOTO & FEATURES