

FT-210

8" Single Handle Kitchen Faucet



8" SINGLE HANDLE KITCHEN FAUCET



Product Spec Sheet

FEATURES & BENEFITS

- Washerless Cartridge
- Metal Lever Handle
- Water Saving Aerator
- With Black Spray Off Deck
- Max Flow Rate 2.2 GPM (8.3LPM) at 60 PSI (ASME. A112.18.1)

- * FT-200
Less Hose & Spray
- * FT-210D
With Spray On Deck

APPROVALS:

Meets or Exceeds The Following:

- * ANSI/ASME A112.18.1
- * CSA B125.1
- * IAPMO/UPC



BREWSTER, NY: TEL: 800-431-2082
HOUSTON, TX: TEL: 800-935-5456
LA PALMA, CA: TEL: 866-532-8306

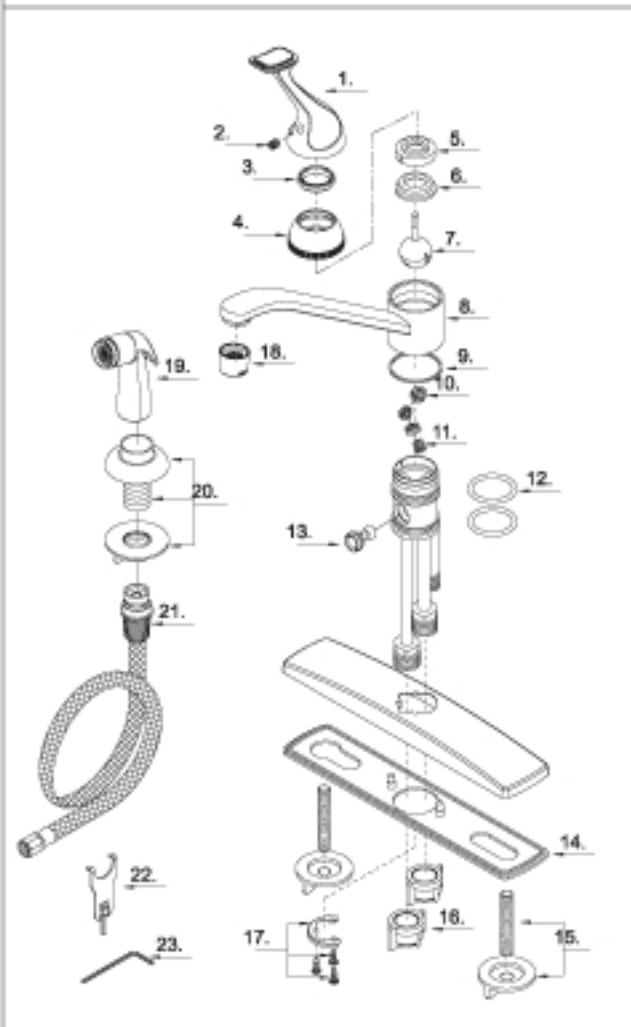
FAX: 800-640-2252
FAX: 800-683-4247
FAX: 866-832-8307

FT-210

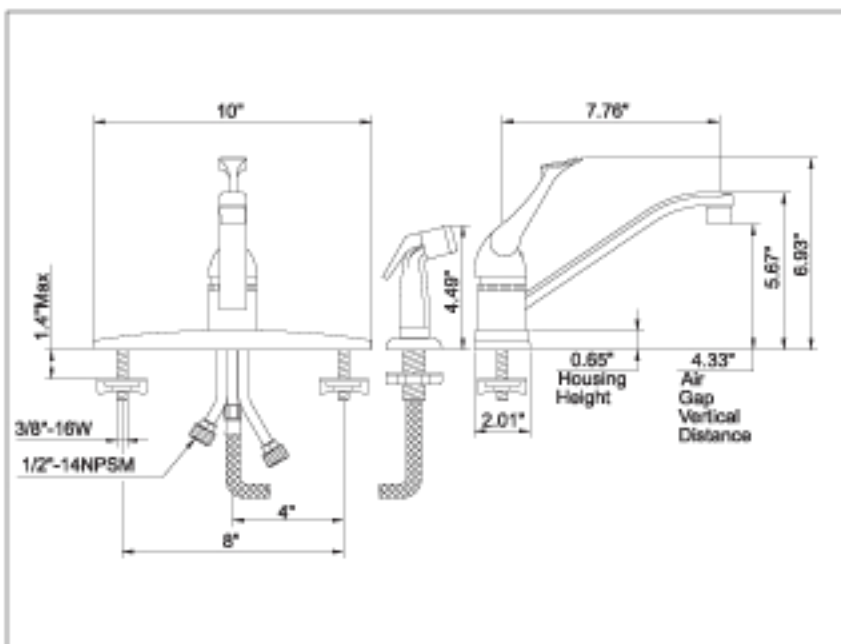
8" Single Handle Kitchen Faucet



No	Part Title	Material
1	Metal Handle	Zinc Alloy
2	Screw (1/4" -28UNF * 5/16" L)	Stainless Steel
3	Locking Nut	Plastic
4	Trim Cap	Zinc Alloy
5	Can	PCM
6	Can Packing	Plastic
7	Ball Valve	Stainless Steel
8	Spout	Brass
9	Washer	PCM
10	Seat	Rubber
11	Spring	Stainless Steel
12	O-Ring (Ø1-1/4" ID * Ø1-1/2" OD)	Rubber
13	Spray Diverter w/ Vacuum Breaker	Rubber&Stainless Steel
14	Putty Plate	PP
15	Mounting Hardware	PCM&Stainless Steel
16	Coupling Nut	Brass
17	Base Mounting Hardware	Stainless Steel
18	Aerator	Brass&Stainless Steel
19	Side Spray	PCM
20	Spray Holder Assembly (2-1/2"L)	Plastic
21	Spray Hose	PVC
22	Aerator Wrench	Stainless Steel
23	Hex Wrench (H2.5 * 19 mm L * 53mm I.)	Stainless Steel



Product Spec Sheet



FT-200
Less Hose & Spray
FT-210D
With Spray On Deck

APPROVALS:
Meets or Exceeds The Following:
* ANSI/ASME A112.18.1
* CSA B125.1
* IAPMO/UPC



BREWSTER, NY: P.O. BOX 27 Route 22 Brewster, NY 10509
HOUSTON, TX: 1150 Silber Road Houston, TX 77055
LA PALMA, CA: 5593 Fresca Drive La Palma, CA 90623

Visit Our Web Site : www.matco-norca.com