

CT-452DLF/CT-400DLF



4" Lavatory Faucet



Product Spec Sheet

FEATURES & BENEFITS

- This Product Contains Less Than 0.25% Weighted Average Lead Content On Wetted Surfaces
- Easy Single Lever Operation
- Brass Pop Up
- Water Saving Aerator
- Max Flow Rate 2.2 GPM (8.3LPM) at 60 PSI (ASME. A112.18.1)
- Chrome Finish

CT-452DLF

CT-400DLF
(Less Pop Up)

APPROVALS:

Meets or Exceeds The Following:

- * ANSI/ASME A112.18.1
- * CSA B125.1
- * ANSI/NSF 61 – Sec. 9
- * IAPMO/UPC
- * CA AB1953



BREWSTER, NY: TEL: 800-431-2082

HOUSTON, TX: TEL: 800-935-5456

LA PALMA, CA: TEL: 866-532-8306

FAX: 800-640-2252

FAX: 800-683-4247

FAX: 866-532-8307

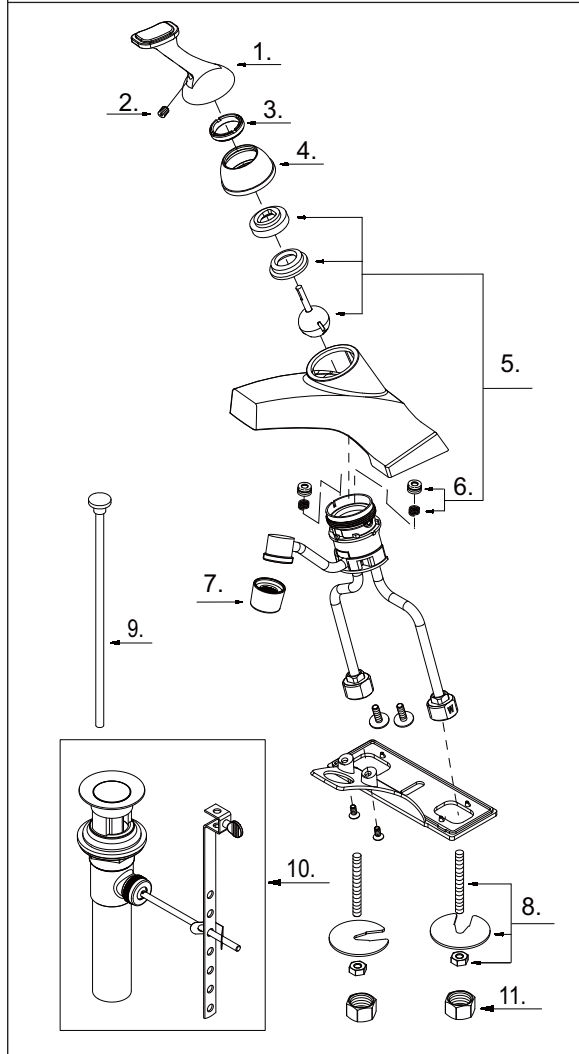
Visit Our Web Site : www.matco-norca.com

MATCO-NORCA

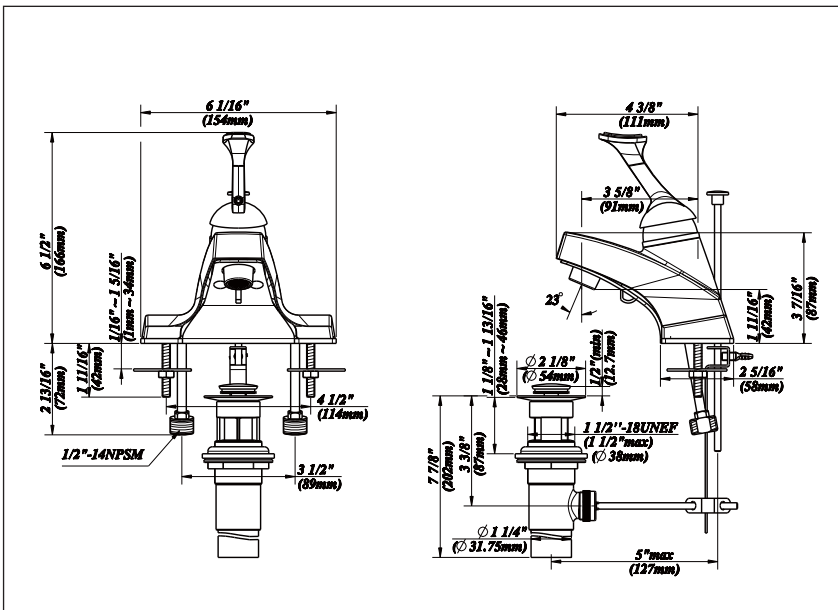
CT-452DLF/CT-400DLF 4" Lavatory Faucet



No	Part Title	Material
1	Metal Handle	Zinc Alloy
2	Screw	Steel
3	Locking Nut	Brass
4	Trim Cap	Zinc Alloy
5	Ball Valve Assembly	Plastic & Steel
6	Seat & Spring Set	Plastic & Steel
7	Aerator	Plastic & Brass
8	Mounting Hardware	Steel
9	Lift Rod	Steel
10	Pop-up Assembly	Brass
11	Coupling Nuts	Brass



Product Spec Sheet



ANSI/NSF 61-9



California Lead Plumbing Law



APPROVALS:

Meets or Exceeds The Following:

- * ANSI/ASME A112.18.1
- * CSA B125.1
- * ANSI/NSF 61 – Sec. 9
- * IAPMO/UPC
- * CA AB1953

BREWSTER, NY: P.O. BOX 27 Route 22 Brewster, NY 10509
HOUSTON, TX: 1150 Silber Road Houston, TX 77055
LA PALMA, CA: 5593 Fresca Drive La Palma, CA 90623

Visit Our Web Site : www.matco-norca.com