

BL-730CD
 BL-720BND
 BL-730ORBNDJP
 BL-700CJP

BL-730BND
 BL-720ORBND
 BL-720CDJP
 BL-700BNJP

BL-730ORBND
 BL-730CDJP
 BL-720BNDJP
 BL-700ORBNDJP

BL-720CD
 BL-730BNDJP
 BL-720ORBNDJP



Single Handle Tub & Shower Faucet

Product Spec Sheet



FEATURES & BENEFITS

- Metal Lever Handle
- Washerless Pressure Balancing Valve
- Slip Fit Diverter Spout
- Max Flow Rate 1.75 gpm (6.6 L/min) at 80 psi
- Min Flow Rate 1.3 gpm (4.92 L/min) at 45 psi

APPROVALS:

Meets or Exceeds The Following:

* IAPMO/cUPC

BL-730CD
Tub & Shower Faucet
Chrome Finish

BL-730BND
Tub & Shower Faucet
Brushed Nickel Finish

BL-730ORBND
Tub & Shower Faucet
Oil Rubbed Bronze Finish

BL-720CD
Shower Only Faucet
Chrome Finish

BL-720BND
Shower Only Faucet
Brushed Nickel Finish

BL-720ORBND
Shower Only Faucet
Oil Rubbed Bronze Finish

BL-730CDJP
Trim Kit For Tub & Shower Faucet
Chrome Finish

BL-730BNDJP
Trim Kit For Tub & Shower Faucet
Brushed Nickel Finish

BL-730ORBNDJP
Trim Kit For Tub & Shower Faucet
Oil Rubbed Bronze Finish

BL-720CDJP
Trim Kit For Shower Only Faucet
Chrome Finish

BL-720BNDJP
Trim Kit For Shower Only Faucet
Brushed Nickel Finish

BL-720ORBNDJP
Trim Kit For Shower Only Faucet
Oil Rubbed Bronze Finish

BL-700CJP
Trim Kit For Valve Only Faucet
Chrome Finish

BL-700BNJP
Trim Kit For Valve Only Faucet
Brushed Nickel Finish

BL-700ORBNDJP
Trim Kit For Valve Only Faucet
Oil Rubbed Bronze Finish



* WaterSense Only On Models Containing Showerheads

CALIFORNIA:
TEXAS:
NEW YORK:
ILLINOIS:

TEL: 866-532-8306
TEL: 800-935-5456
TEL: 800-431-2082
TEL: 844-412-5068

FAX: 866-532-8307
FAX: 800-683-4247
FAX: 800-640-2252
FAX: 800-640-2252

Visit Our Web Site : www.matco-norca.com

BL-730CD
 BL-720BND
 BL-730ORBBDJP
 BL-700CJP

BL-730BND
 BL-720ORBBD
 BL-720CDJJP
 BL-700BNJP

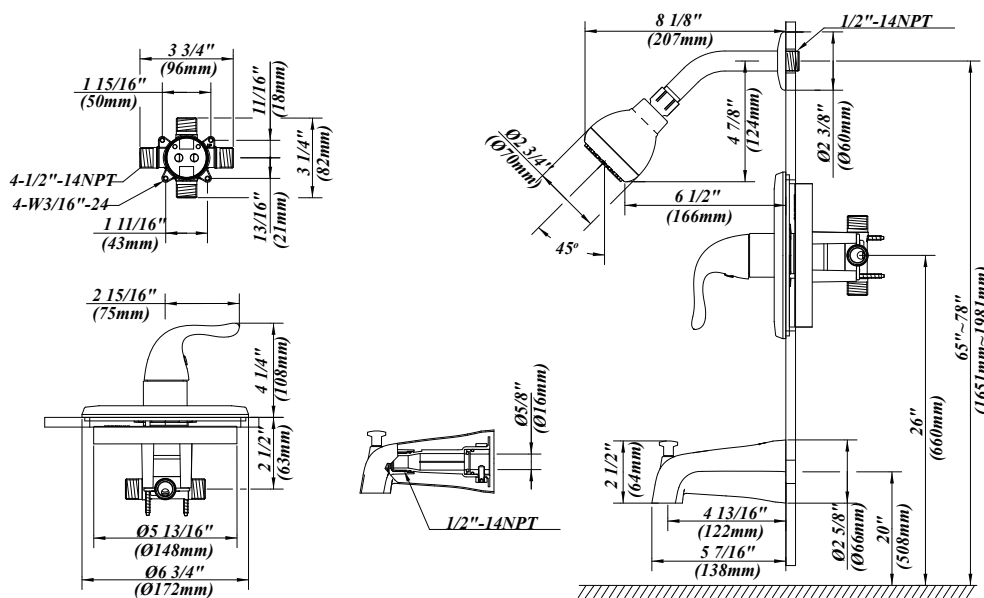
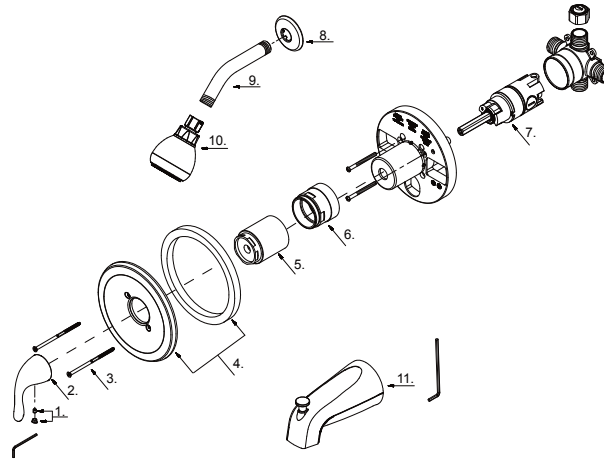
BL-730ORBBD
 BL-730CDJJP
 BL-720BNDJJP
 BL-700ORBBDJP

BL-720CD
 BL-730BNDJJP
 BL-720ORBBDJJP



Single Handle Tub & Shower Faucet

No.	Name	Part No.
1	Index Button	A66D568
2	Metal Handle Assembly	A66E659
3	Screw Set(3/16" -24 * 4 " L)	A608563
	Screw Set(ORB)	A608564
4	Escutcheon Assembly	A667915
5	Sleeve	A103322
6	Retainer Nut	A103310-Z
7	Washerless Cartridge Assembly	A507975
8	Shower Arm Flange	A019001-S
9	Shower Arm	A020002-S
10	Shower Head	S1213300
11	Tub Spout with Diverter	A118011



Product Spec Sheet

CALIFORNIA: TEL: 866-532-8306
TEXAS: TEL: 800-935-5456
NEW YORK: TEL: 800-431-2082
ILLINOIS: TEL: 844-412-5068

FAX: 866-532-8307
FAX: 800-683-4247
FAX: 800-640-2252
FAX: 800-640-2252

Visit Our Web Site : www.matco-norca.com