

BL-250C **BL-250SS**
 BL-260C **BL-260SS** **BL-260ORB**



8" Two Handle Kitchen Faucet

Product Spec Sheet



FEATURES & BENEFITS

- This Product Contains Less Than 0.25% Weighted Average Lead Content On Wetted Surfaces
- Metal Lever Handles
- Ceramic Cartridges
- With Side Spray
- Max Flow Rate 1.5 GPM (5.7 L/MIN) At 60 PSI (ASME A112.18.1M/A112.18.1)

APPROVALS:

Meets or Exceeds The Following:

- * ANSI/ASME A112.18.1M/A112.18.1
- * NSF/ANSI 61 - Sec. 9
- * NSF/ANSI 372
- * IAPMO/cUPC
- * CA AB1953

BL-260C
Chrome Finish

BL-260SS
Stainless Steel Finish

BL-260ORB
Oil Rubbed Bronze Finish

BL-250C
Less Side Spray
Chrome Finish

BL-250SS
Less Side Spray
Stainless Steel Finish



NSF/ANSI 372
NSF/ANSI 61-9



CALIFORNIA:
TEXAS:
NEW YORK:

TEL: 866-532-8306
TEL: 800-935-5456
TEL: 800-431-2082

FAX: 866-532-8307
FAX: 800-683-4247
FAX: 800-640-2252

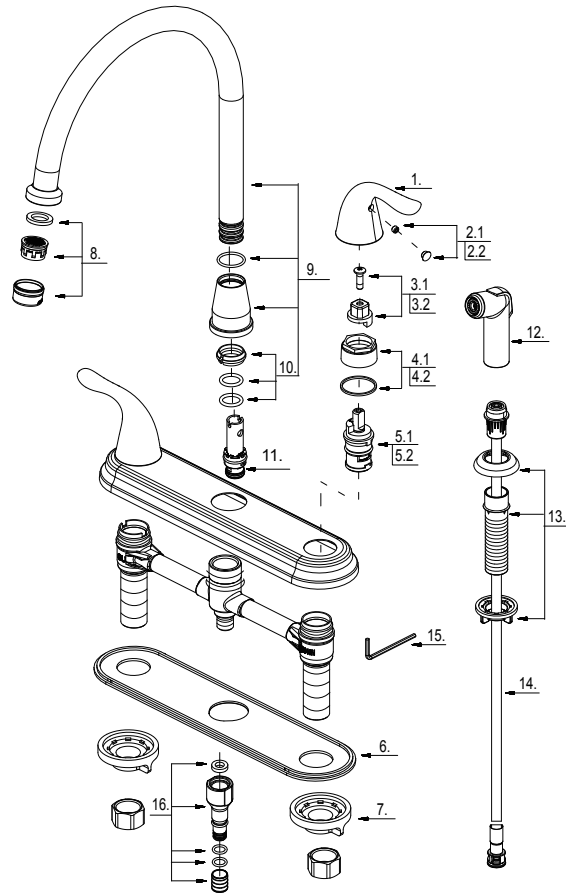
Visit Our Web Site : www.matco-norca.com

BL-250C **BL-250SS**
 BL-260C **BL-260SS** **BL-260ORB**

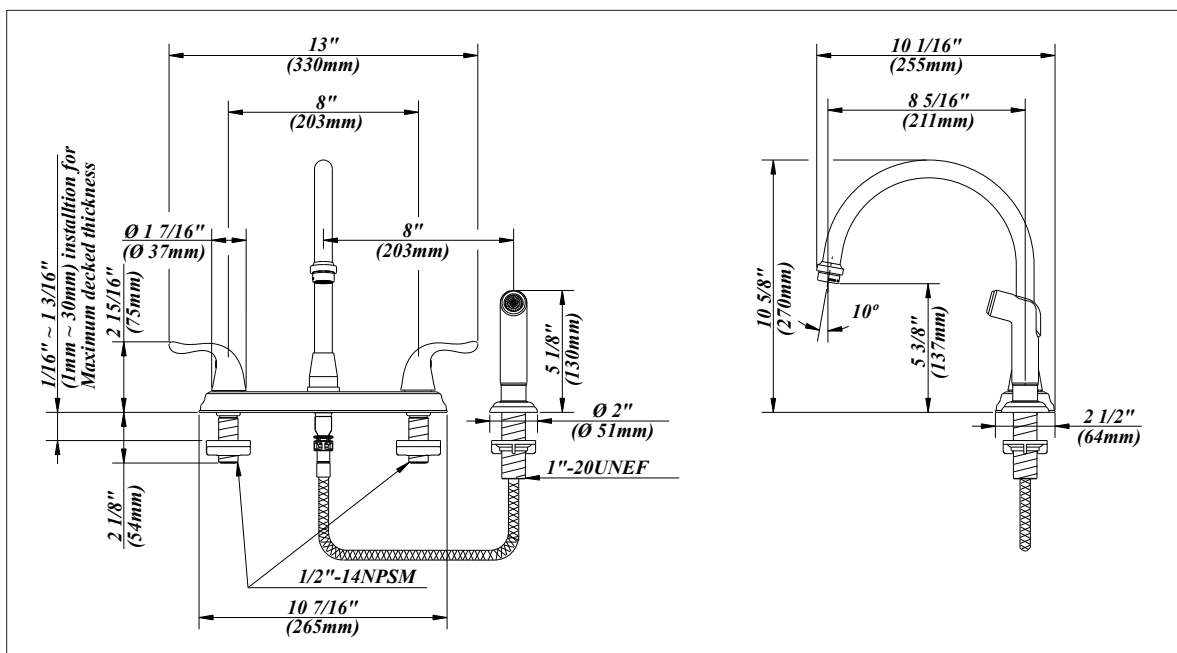


8" Two Handle Kitchen Faucet

No.	Name	Part No.
1	Metal Handle	A069115CP
2.1	Index Button-Cold	A603595C
2.2	Index Button-Hot	A603595H
3.1	Handle Adaptor-Cold	A66D574C
3.2	Handle Adaptor-Hot	A66D574H
4	Retainer Nut & Washer	A663629
5.1	Ceramic Disc Cartridge-Cold	A507104N
5.2	Ceramic Disc Cartridge-Hot	A507103N
6	Putty Plate	A011003
7	Lock Nut Set	A504023
8	Aerator	A500872N-51
9	Spout Assembly	A666125N
10	Spout Seal Kit	A663044N
11	Spray Diverter w/Vacuum Breaker	A66G391
12	Side Spray	A503002N
13	Spray Holder Assembly (3-15/16" L)	A664250-P
14	Spray Hose	A512139N
15	Hex Wrench (H 2.5 * 19 mm L * 53 mm L)	A031000NI
16	Sealing Kit	A66G352N



Product Spec Sheet



CALIFORNIA:
TEXAS:
NEW YORK:

TEL: 866-532-8306
TEL: 800-935-5456
TEL: 800-431-2082

FAX: 866-532-8307
FAX: 800-683-4247
FAX: 800-640-2252

Visit Our Web Site : www.matco-norca.com