

AE-955/AE-955S Single Handle Kitchen Faucet



SINGLE HANDLE KITCHEN FAUCET



Product Spec Sheet

FEATURES & BENEFITS

- Single handle kitchen faucet
- Ceramic disc cartridge
- High rise spout
- Teapot style canopy & handle
- Stainless steel braided supply hose
- With spray
- 100% Factory Pressure Tested

- * AE-955
Chrome Finish
- * AE-955S
Brushed Nickel Finish

Approvals:

Meets or Exceeds The Following:

- * ANSI/ASME A112.18.1
- * CSA B125.1
- * ANSI/NSF 61 – Sec. 9
- * IAPMO/UPC



BREWSTER, NY: TEL: 800-431-2082
HOUSTON, TX: TEL: 800-935-5456
LA PALMA, CA: TEL: 866-532-8306

FAX: 800-640-2252
FAX: 800-683-4247
FAX: 866-832-8307

Visit Our Web Site : www.matco-norca.com

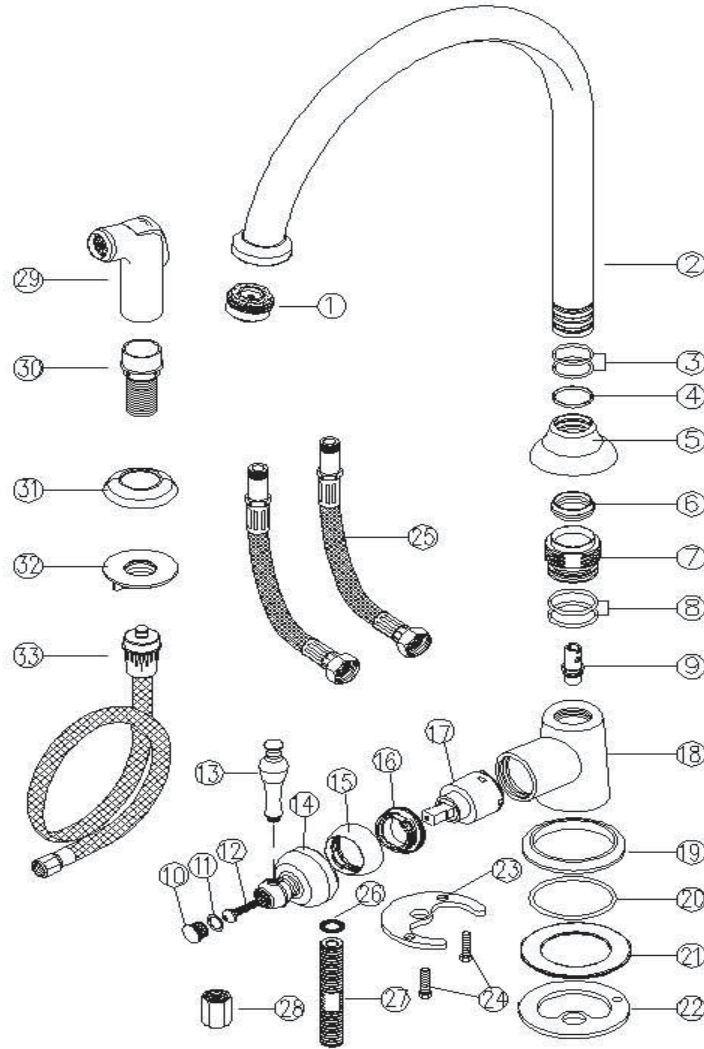
AE-955/AE-955S

Single Handle Kitchen Faucet



No	Part Title	Material
----	------------	----------

1	Aerator	ABS
2	Spout	Brass
3	O-Ring	Rubber
4	O-Ring	Rubber
5	Bonnet	Brass
6	C-Clip	Resin
7	Connector	Brass
8	O-Ring	Rubber
9	Diverter	Brass
10	Cap	Brass
11	Washer	Resin
12	Screw	Steel
13	Handle	Brass
14	Canopy	Brass
15	Cap	Brass
16	Adjusting Ring	Brass
17	Cartridge	Ceramic
18	Body	Brass
19	Base Set	Brass
20	O-Ring	Rubber
21	Plug	Rubber
22	Washer	Steel
23	Washer	Brass
24	Screws	Steel
25	Hose	Stainless Steel/Plastic
26	Seal	Rubber
27	Connection tube	Brass
28	Lock nut	Brass
29	Spray head	Brass/Plastic
30	Sleeve	ABS
31	Flange	Brass
32	Nut	ABS
33	Spray hose	Stainless Steel/Plastic



Product Spec Sheet



Approvals:

Meets or Exceeds The Following:

* ANSI/ASME A112.18.1

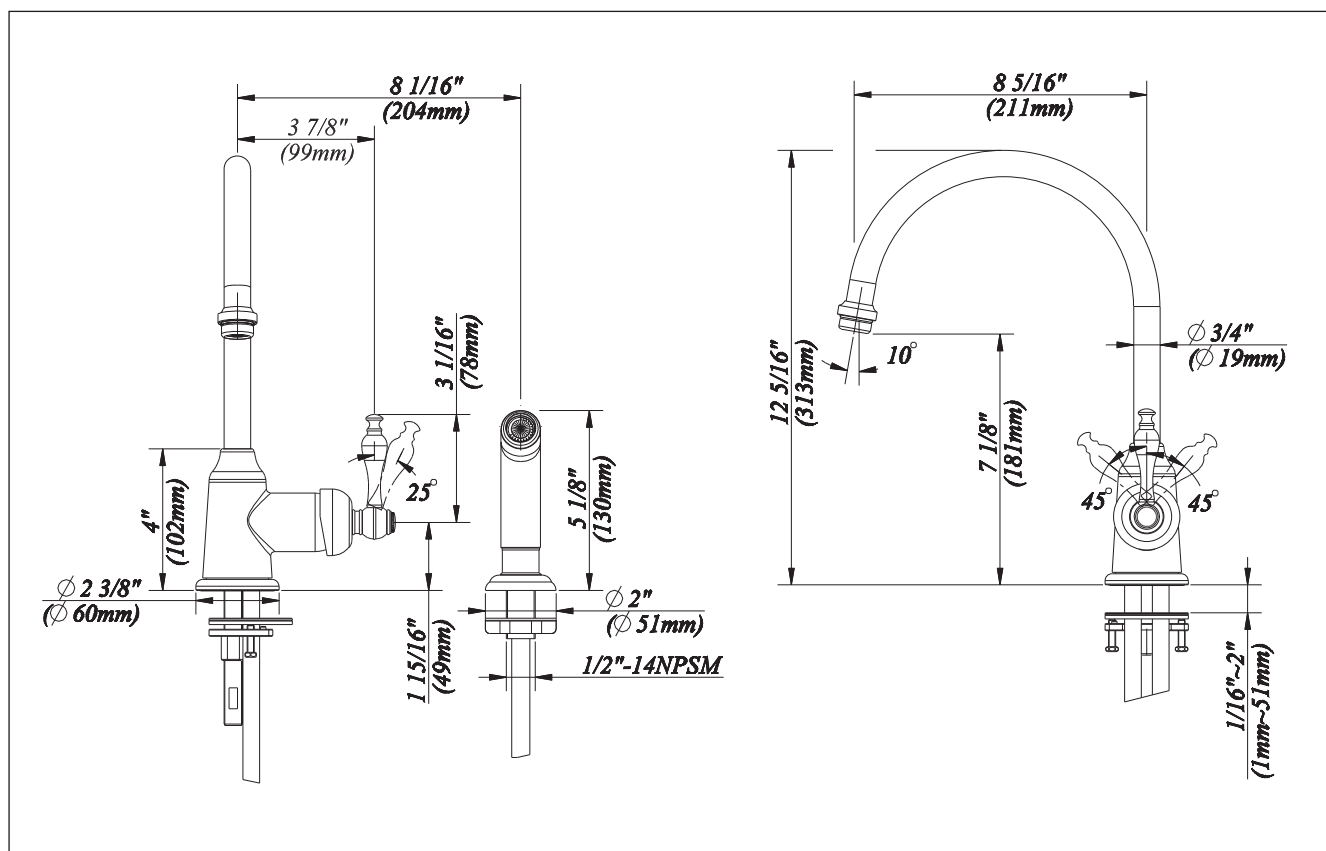
* CSA B125.1

* ANSI/NSF 61 – Sec. 9

* IAPMO/UPC

AE-955 / AE-955S

Single Handle Kitchen Faucet



Product Spec Sheet



Approvals:
Meets or Exceeds The Following:

- * ANSI/ASME A112.18.1
- * CSA B125.1
- * ANSI/NSF 61 – Sec. 9
- * IAPMO/UPC



BREWSTER, NY: P.O. BOX 27 Route 22 Brewster, NY 10509
HOUSTON, TX: 1150 Silber Road Houston, TX 77055
LA PALMA, CA: 5593 Fresca Drive La Palma, CA 90623

Visit Our Web Site : www.matco-norca.com