

LAVATORY FAUCET



Product Spec Sheet

FEATURES & BENEFITS

- Solid Brass Body
- Fits 4" Centers
- 1/2"-14 NPS Inlet
- Metal Lever Handle
- ADA Compliant
- Drip-free Ceramic Cartridge
- Brass Pop-up Drain Assembly
- 100% Factory Pressure Tested Before Shipment

- * AE-495
Chrome Finish
- * AE-495S
Brushed Nickel Finish

Approvals: Meets or Exceeds The Following:

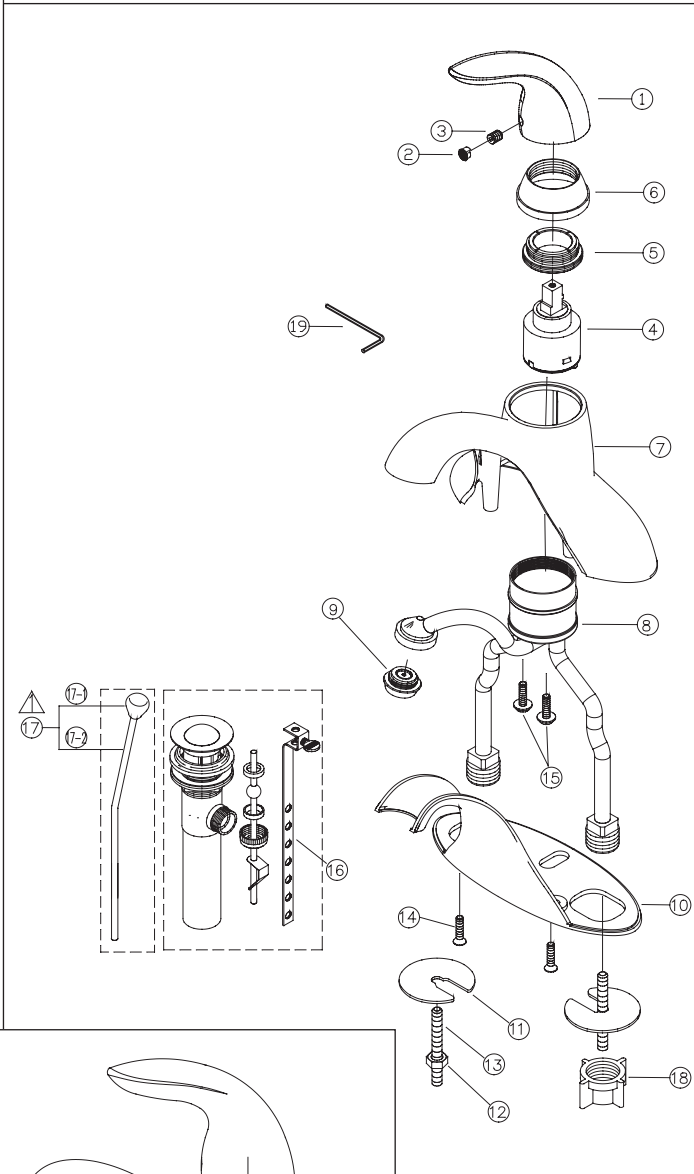
- * ANSI/ASME A112.18.1
- * CSA B125.1
- * IAPMO/UPC



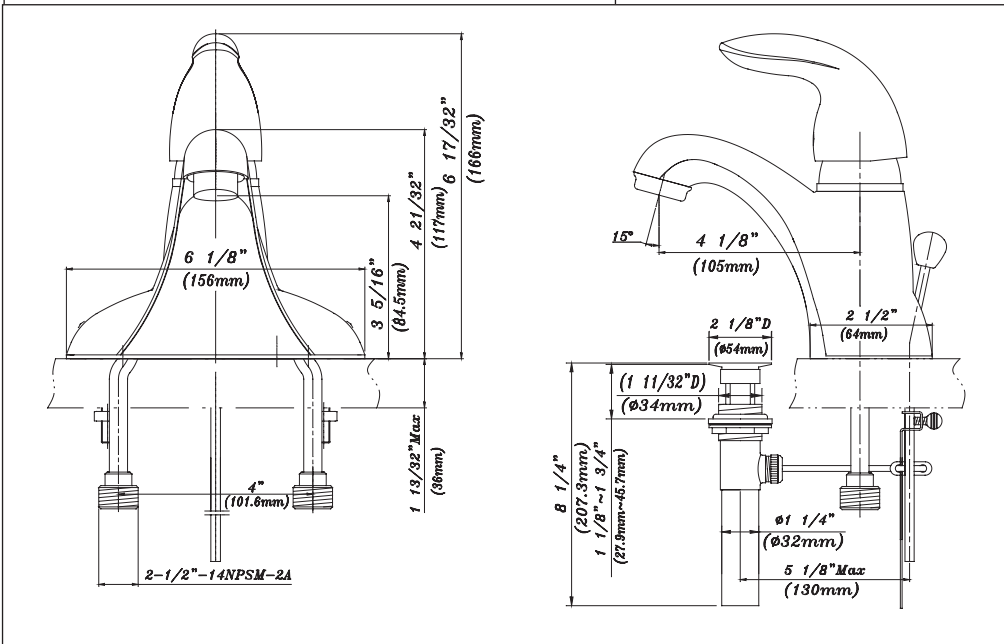
AE-495/AE-495S LAVATORY FAUCET



No	Part Title	Material
1	Handle	Zinc
2	Insert	Rubber
3	Screw	Stainless Steel
4	Cartridge	Brass / Ceramic
5	Retainer Nut	Brass
6	Cap	Brass
7	Cover Plate	Zinc
8	Body Assembly	Brass
9	Aerator	Brass / Plastic
10	Bottom Plate	Plastic
11	Washer	Stainless Steel
12	Lock Nut	Stainless Steel
13	Screw Stem	Stainless Steel
14	Screw	Brass
15	Screw	Stainless Steel
16	Pop-up Assembly	Brass
17	Ball Rod Assembly	Brass
18	Lock Nut	Brass
19	Wrench	Iron



Product Spec Sheet



Approvals:
Meets or Exceeds
The Following:
 * ANSI/ASME A112.18.1
 * CSA B125.1
 * IAPMO/UPC



BREWSTER, NY: P.O. BOX 27 Route 22 Brewster, NY 10509
HOUSTON, TX: 1150 Silber Road Houston, TX 77055
LA PALMA, CA: 5593 Fresca Drive La Palma, CA 90623

Visit Our Web Site : www.matco-norca.com