

## LAVATORY FAUCET



**Product Spec Sheet**

### FEATURES & BENEFITS

- Solid Brass Body
- Fits 4" Centers
- 1/2"-14 NPS Inlet
- Metal Lever Handle
- ADA Compliant
- Drip-free Ceramic Cartridge
- 100% Factory Pressure Tested Before Shipment

- \* AE-490  
Chrome Finish
- \* AE-490S  
Brushed Nickel Finish

#### Approvals: Meets or Exceeds The Following:

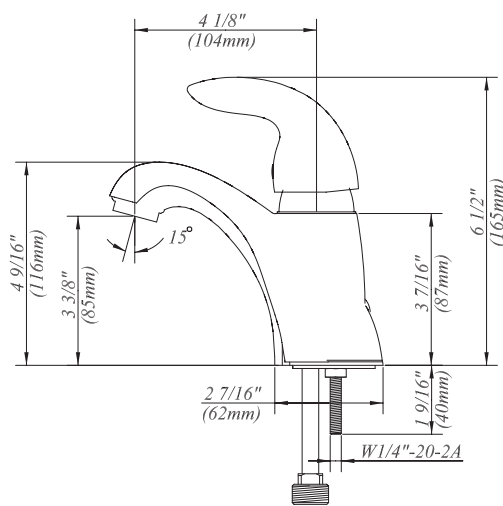
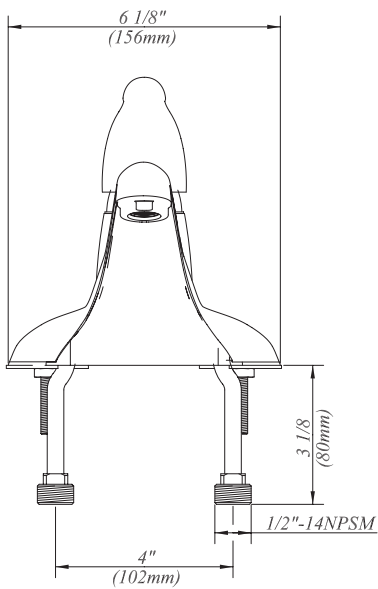
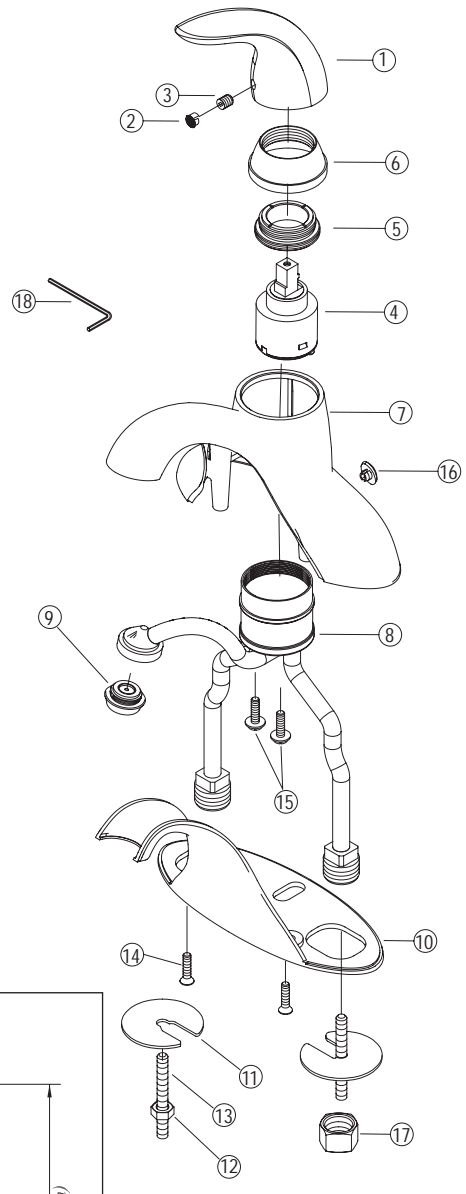
- \* ANSI/ASME A112.18.1
- \* CSA B125.1
- \* IAPMO/UPC



# AE-490/AE-490S LAVATORY FAUCET



No	Part Title	Material
1	Handle	Zinc
2	Insert	Rubber
3	Screw	Stainless Steel
4	Cartridge	Brass / Ceramic
5	Retainer Nut	Brass
6	Cap	Brass
7	Cover Plate	Zinc
8	Body Assembly	Brass
9	Aerator	Brass / Plastic
10	Bottom Plate	Plastic
11	Washer	Stainless Steel
12	Lock Nut	Stainless Steel
13	Screw Stem	Stainless Steel
14	Screw	Brass
15	Screw	Stainless Steel
16	Insert	Plastic
17	Lock Nut	Brass
18	Wrench	Iron



**Approvals:**  
**Meets or Exceeds**  
**The Following:**  
 \* ANSI/ASME A112.18.1  
 \* CSA B125.1  
 \* IAPMO/UPC

**Product Spec Sheet**



**BREWSTER, NY: P.O. BOX 27 Route 22 Brewster, NY 10509**  
**HOUSTON, TX: 1150 Silber Road Houston, TX 77055**  
**LA PALMA, CA: 5593 Fresca Drive La Palma, CA 90623**

Visit Our Web Site : [www.matco-norca.com](http://www.matco-norca.com)