

AE-395/AE-395S

Pulldown Kitchen Faucet



PULLDOWN KITCHEN FAUCET



Product Spec Sheet

FEATURES & BENEFITS

- Ceramic Disc Cartridge
- Metal Lever Handle
- Pulldown Spray
- Stainless Steel Hose
- Max Flow Rate: 2.2GPM at 60PSI
- 100% Factory Pressure Tested Before Shipment

- * AE-395
Chrome Finish
- * AE-395S
Brushed Nickel Finish

APPROVALS:

Meets or Exceeds The Following:

- * ANSI/ASME A112.18.1
- * CSA B125.1
- * IAPMO/UPC



BREWSTER, NY: TEL: 800-431-2082
HOUSTON, TX: TEL: 800-935-5456
LA PALMA, CA: TEL: 866-532-8306

FAX: 800-640-2252
FAX: 800-683-4247
FAX: 866-832-8307

Visit Our Web Site : www.matco-norca.com

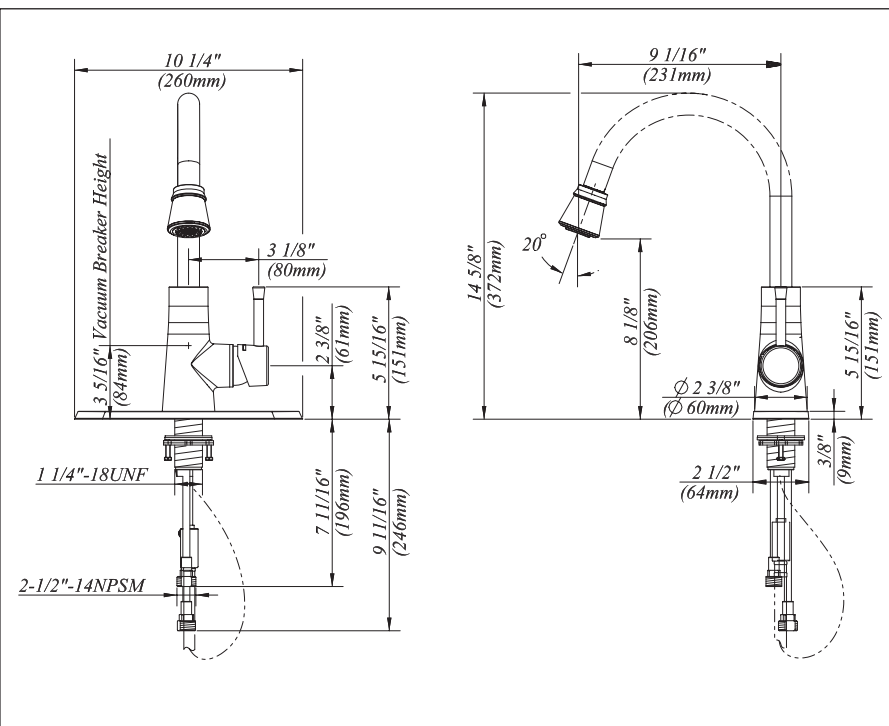
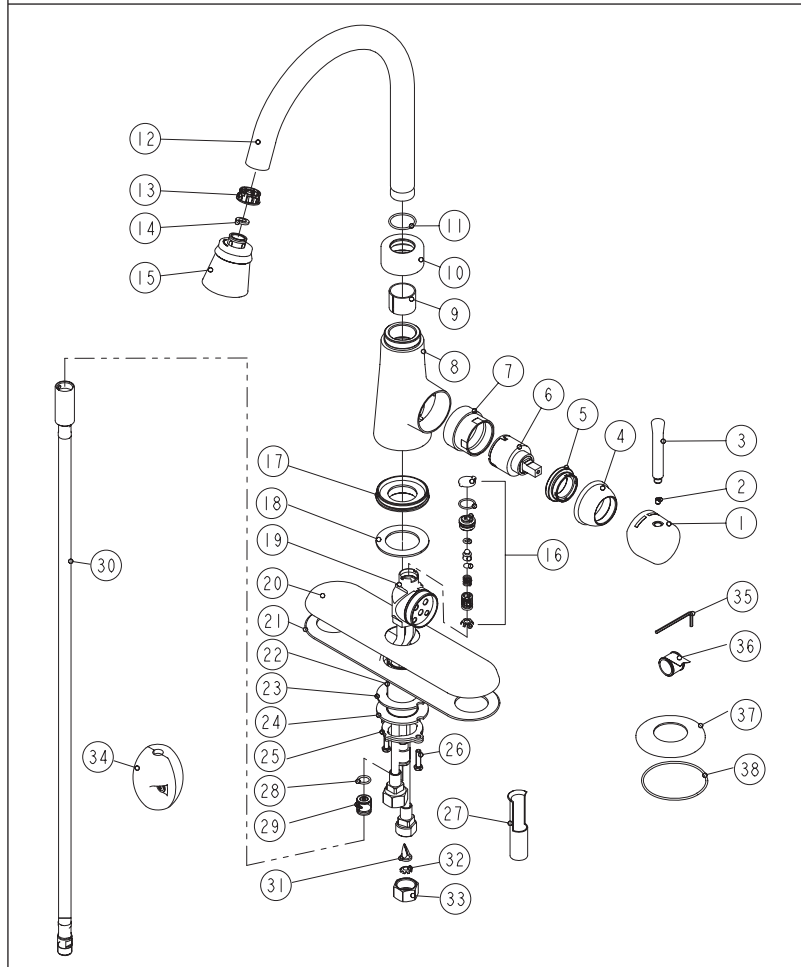
AE-395/AE-395S

Pulldown Kitchen Faucet



Product Spec Sheet

No.	Name	Material
1	Canopy	Zinc
2	Screw	Stainless Steel
3	Handle	Brass
4	Cap	Brass
5	Retainer Nut	Brass
6	Ceramic Cartridge Assembly	Ceramic&Brass
7	Sleeve	Brass
8	Valve Shell	Zinc
9	Lock Nut	POM
10	Thread Connector	Brass
11	O-Ring	Rubber
12	Spout Body	Brass
13	Mounting Kits	POM
14	Seal Kit	Rubber
15	Aerator Assembly	Brass&Plastic
16	Valve Inserts Assembly	Brass&Plastic
17	Valve Thread	Brass
18	Seal Kit	Rubber
19	Valve Body	Brass
20	Cover Plate	Brass
21	Putty Plate	PP
22	Base Hose	Brass
23	Seal Kit	Rubber
24	O-Ring	Stainless Steel
25	Mounting Nut	Stainless Steel
26	Screw	Stainless Steel
27	Mounting Hose	PP
28	O-Ring	Plastic
29	Counter Current Valve	Brass&Rubber
30	Spray Hose	Stainless Steel&Brass
31	Seal Kit	Rubber
32	Screw	Stainless Steel
33	Mounting Nut	Brass
34	Weight Hammer	Brass
35	Wrench Stainless	Steel
36	Seal Tape	Rubber
37	Escutcheon	Brass
38	O-Ring	Rubber



- * AE-395
Chrome Finish
- * AE-395S
Brushed Nickel Finish



APPROVALS:
Meets or Exceeds The Following:

- * ANSI/ASME A112.18.1
- * CSA B125.1
- * IAPMO/UPC

BREWSTER, NY: P.O. BOX 27 Route 22 Brewster, NY 10509
HOUSTON, TX: 1150 Silber Road Houston, TX 77055
LA PALMA, CA: 5593 Fresca Drive La Palma, CA 90623

Visit Our Web Site : www.matco-norca.com