

**AE-251/AE-251S**

# **Pullout Kitchen Faucet**



## **PULLOUT KITCHEN FAUCET**



# **Product Spec Sheet**

### **FEATURES & BENEFITS**

- Ceramic Disc Cartridge
- Metal Lever Handle
- Pullout Spray
- Max Flow Rate: 2.2GPM at 60PSI
- 100% Factory Pressure Tested Before Shipment

- \* AE-251  
Chrome Finish
- \* AE-251S  
Brushed Nickel Finish

Approvals:  
**Meets or Exceeds The Following:**

- \* ANSI/ASME A112.18.1
- \* CSA B125.1
- \* IAPMO/UPC



**BREWSTER, NY: TEL: 800-431-2082**  
**HOUSTON, TX: TEL: 800-935-5456**  
**LA PALMA, CA: TEL: 866-532-8306**

**FAX: 800-640-2252**  
**FAX: 800-683-4247**  
**FAX: 866-832-8307**

Visit Our Web Site : [www.matco-norca.com](http://www.matco-norca.com)

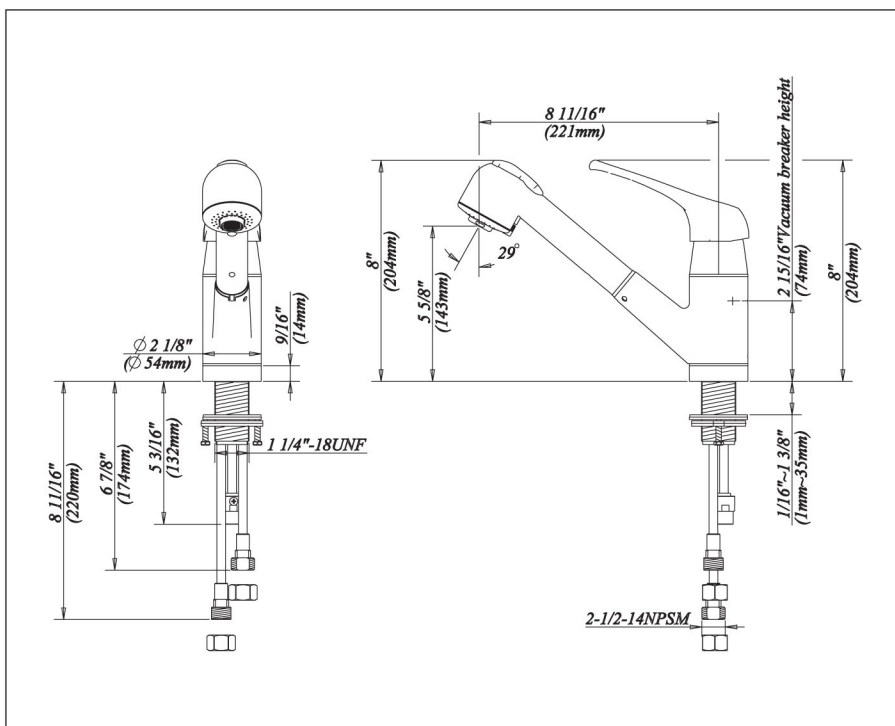
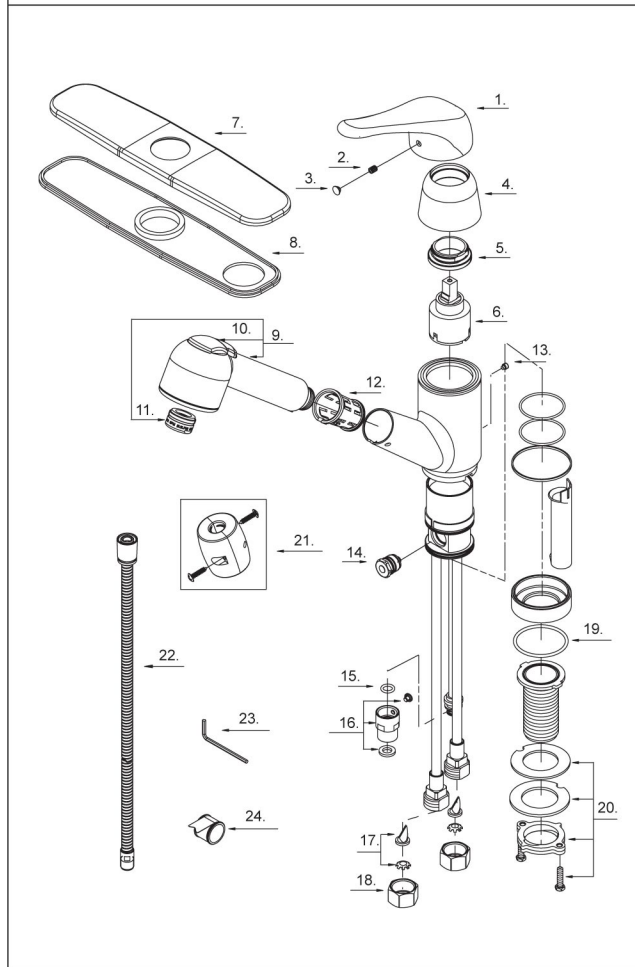
# AE-251/AE-251S

## Pullout Kitchen Faucet



# Product Spec Sheet

No.	Name	Material
1	Metal Handle	Zinc Alloy
2	Screw	Steel
3	Index Button-Cold/Hot	Plastic
4	Trim Cap	Plastic
5	Locking Nut	Steel
6	Ceramic Disc Cartridge	Ceramic&Brass
7	Cover Plate	Zinc
8	Putty Plate	Plastic
9	Hand Spray w/Check Valve	Brass&Plastic
10	Hand Spray Button	Rubber
11	Aerator	Brass&Plastic
12	Hose Guide	Plastic
13	Screw	Steel
14	Vacuum Breaker	Steel
15	O-Ring	Steel
16	Hose Adaptor Assembly	Steel
17	Back Flow Prevention Device	Brass
18	Coupling Nut	Brass
19	O-Ring	Steel
20	Mounting Hardware	Steel
21	Weight	Plastic
22	Spray Hose	Steel
23	Hex Wrench	Steel
24	Pipe Tape	Plastic



- \* AE-251  
Chrome Finish
- \* AE-251S  
Brushed Nickel Finish



Approvals:  
**Meets or Exceeds The Following:**

- \* ANSI/ASME A112.18.1
- \* CSA B125.1
- \* IAPMO/UPC

**BREWSTER, NY:** P.O. BOX 27 Route 22 Brewster, NY 10509  
**HOUSTON, TX:** 1150 Silber Road Houston, TX 77055  
**LA PALMA, CA:** 5593 Fresca Drive La Palma, CA 90623

Visit Our Web Site : [www.matco-norca.com](http://www.matco-norca.com)