

**BL-250CWJP**     **BL-250SSWJP**  
 **BL-260CWJP**     **BL-260SSWJP**



## 8" Two Handle Kitchen Faucet



# Product Spec Sheet

### FEATURES & BENEFITS

- This Product Contains Less Than 0.25% Weighted Average Lead Content On Wetted Surfaces
- Metal Lever Handles
- Washerless Cartridges
- With Side Spray
- Max Flow Rate 1.5 GPM (5.7 L/MIN) At 60 PSI (ASME A112.18.1M/A112.18.1)

#### APPROVALS:

Meets or Exceeds The Following:

- \* ANSI/ASME A112.18.1M/A112.18.1
- \* NSF/ANSI 61 - Sec. 9
- \* NSF/ANSI 372
- \* IAPMO/cUPC
- \* CA AB1953

BL-260CWJP  
Chrome Finish

BL-260SSWJP  
Stainless Steel Finish

BL-250CWJP  
Less Side Spray  
Chrome Finish

BL-250SSWJP  
Less Side Spray  
Stainless Steel Finish

**CALIFORNIA:**  
**TEXAS:**  
**NEW YORK:**

**TEL: 866-532-8306**  
**TEL: 800-935-5456**  
**TEL: 800-431-2082**

**FAX: 866-532-8307**  
**FAX: 800-683-4247**  
**FAX: 800-640-2252**



NSF/ANSI 372  
NSF/ANSI 61-9



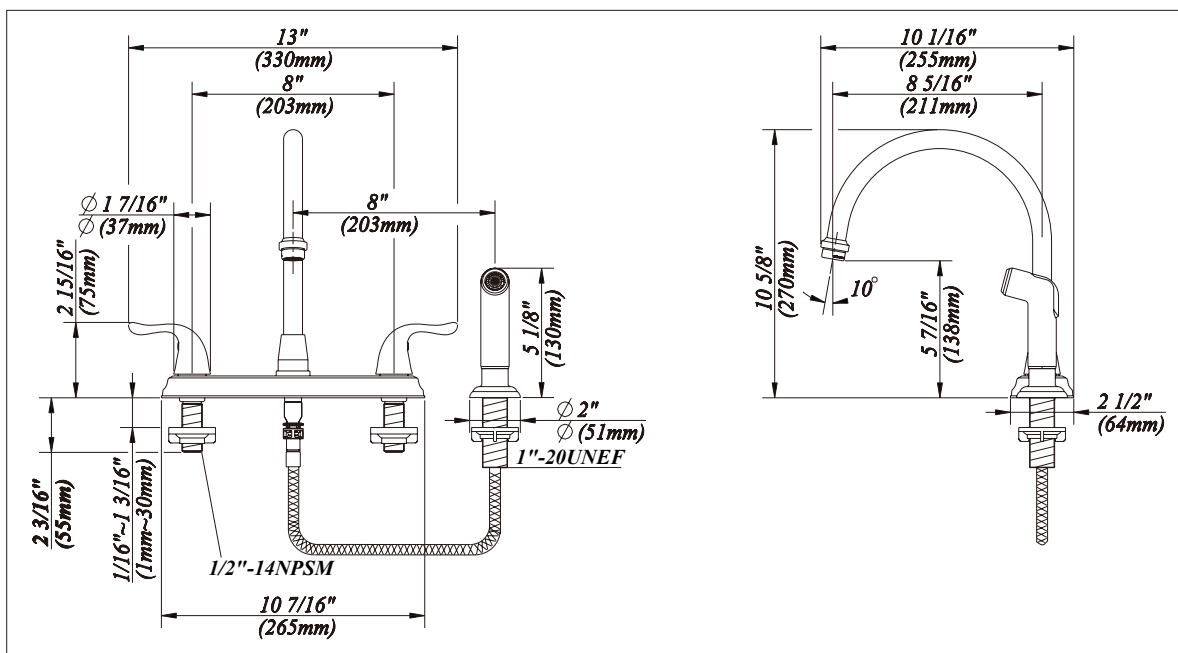
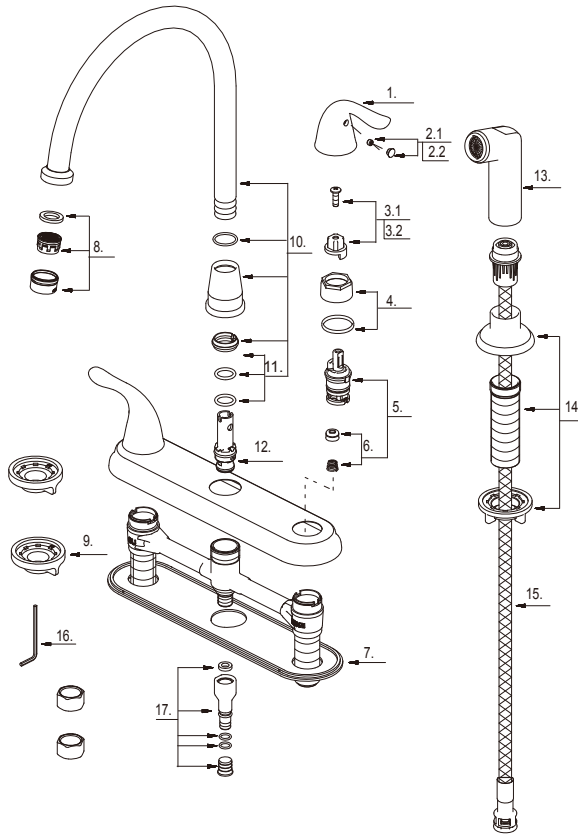
Visit Our Web Site : [www.matco-norca.com](http://www.matco-norca.com)

**BL-250CWJP**     **BL-250SSWJP**  
 **BL-260CWJP**     **BL-260SSWJP**



# 8" Two Handle Kitchen Faucet

No.	Name	Part No.
1	Metal Handle	A069115
2.1	Index Button-Cold	A603595C
2.2	Index Button-Hot	A603595H
3.1	Handle Adaptor-Cold	A66D563C
3.2	Handle Adaptor-Hot	A66D563H
4	Retainer Nut & Washer	A66D630
5	Cartridge Assembly	A663003
6	Spring & Seat Set	A663002
7	Putty Plate	A011003
8	Aerator	A500872N
9	Lock Nut Set	A504023
10	Spout Assembly	A666125N
11	Spout Seal Kit	A663044N
12	Spray Diverter w/Vacuum Breaker	A66G391
13	Side Spray	A503002N
14	Spray Holder Assembly (3-15/16" L)	A220008
15	Spray Hose	A512139N
16	Hex Wrench (H 2.5 * 19 mm L * 53 mm L)	A031000NI
17	Sealing Kit	A66G352N



**Product Spec Sheet**

**CALIFORNIA:**  
**TEXAS:**  
**NEW YORK:**

**TEL: 866-532-8306**  
**TEL: 800-935-5456**  
**TEL: 800-431-2082**

**FAX: 866-532-8307**  
**FAX: 800-683-4247**  
**FAX: 800-640-2252**

Visit Our Web Site : [www.matco-norca.com](http://www.matco-norca.com)